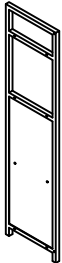

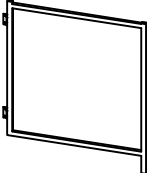
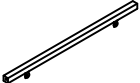
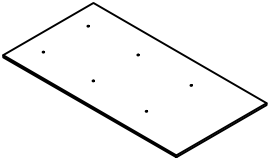
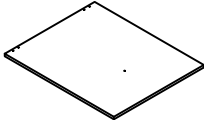
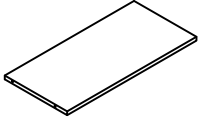
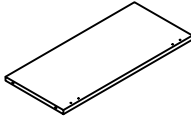
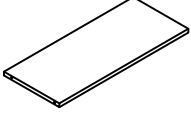
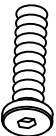
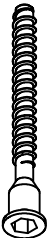
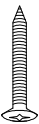
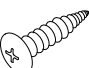
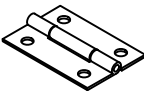

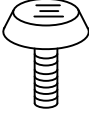

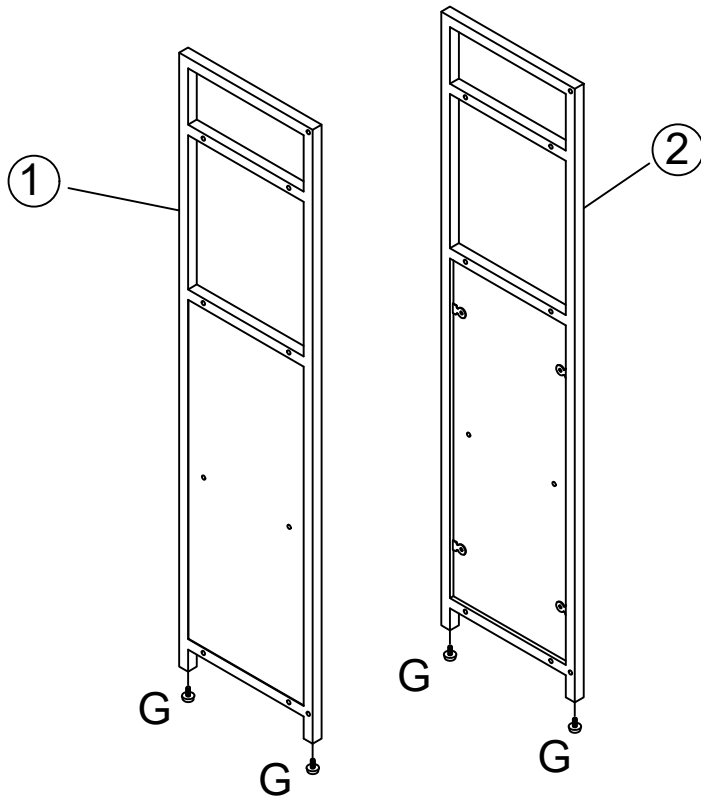


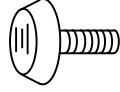
<p>1</p> 	<p>2</p> 	<p>3</p> 	<p>4</p> 
<p>X 1PC</p>	<p>X 1PC</p>	<p>X 1PC</p>	<p>X 2PCS</p>

<p>5</p>  <p>1110*580*12mm</p>	<p>6</p>  <p>700*576*15mm</p>	<p>7</p>  <p>580*280*15mm</p>	<p>8</p>  <p>580*260*15mm</p>	<p>9</p>  <p>580*248*15mm</p>
<p>X 1PC</p>	<p>X 1PC</p>	<p>X 1PC</p>	<p>X 1PC</p>	<p>X 2PCS</p>

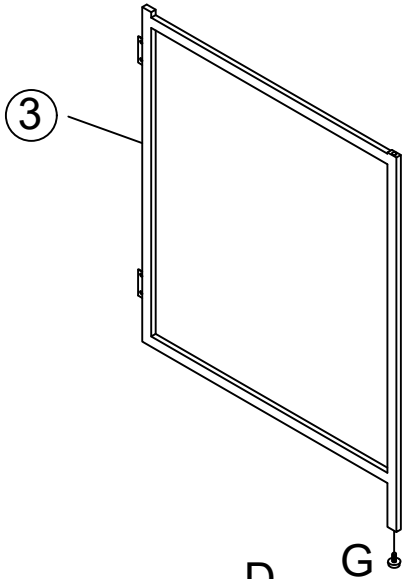
<p>A</p> 	<p>B</p> 	<p>C</p> 	<p>D</p> 	<p>E</p> 	<p>F</p> 	<p>G</p> 	<p>H</p> 
<p>X 4PCS</p>	<p>X 16PCS</p>	<p>X 6PCS</p>	<p>X 16PCS</p>	<p>X 2PCS</p>	<p>X 1PC</p>	<p>X 5PCS</p>	<p>X 1PC</p>

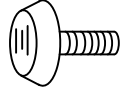
1



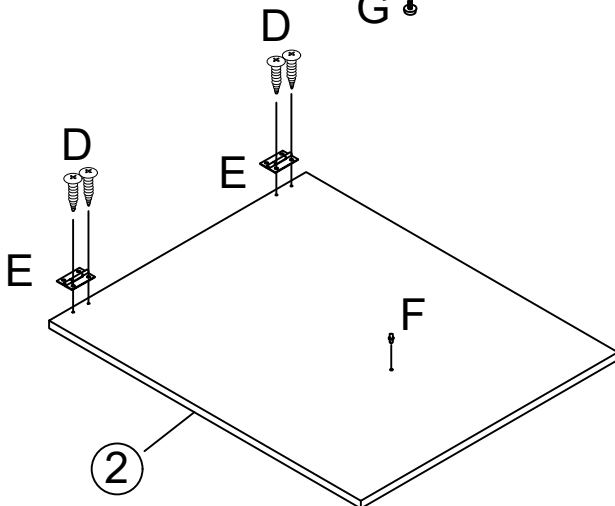
G		4 PCS
---	---	-------

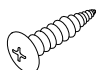
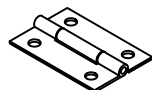

2



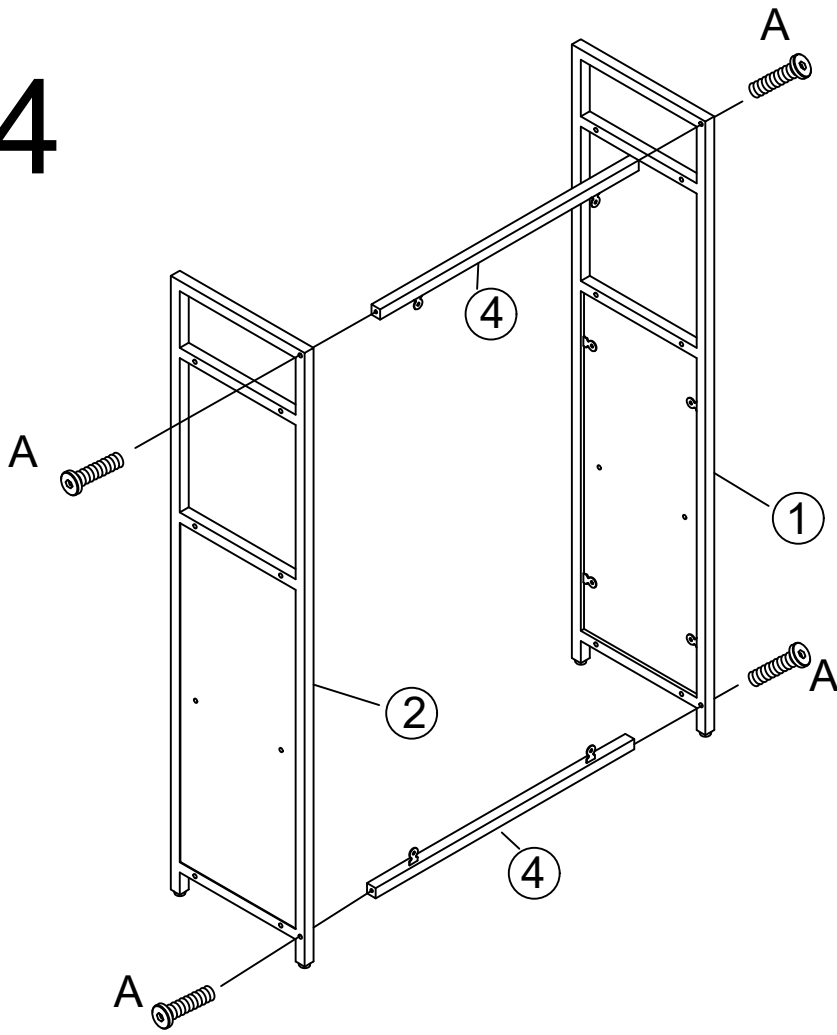
G		1 PC
---	---	------

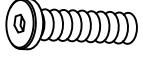
3



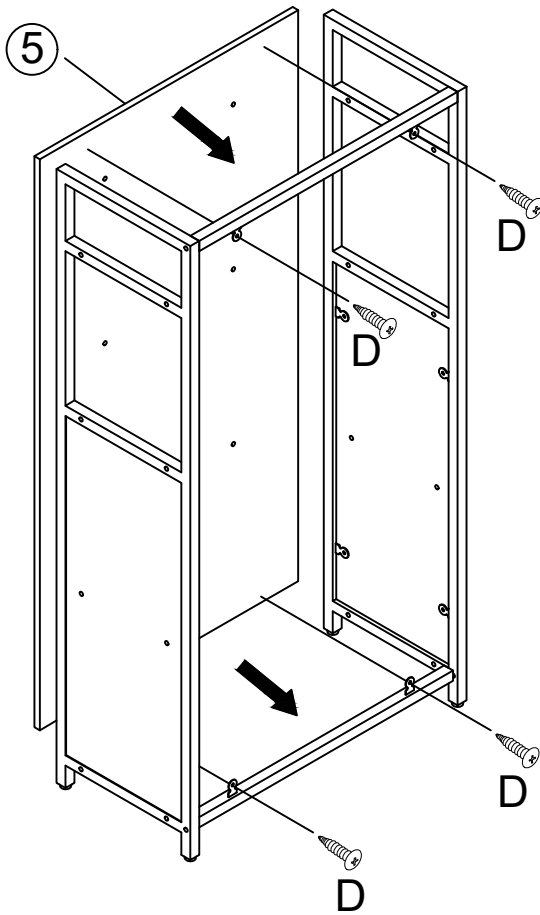
D		4 PCS
E		2 PCS
F		1 PC

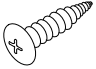
4



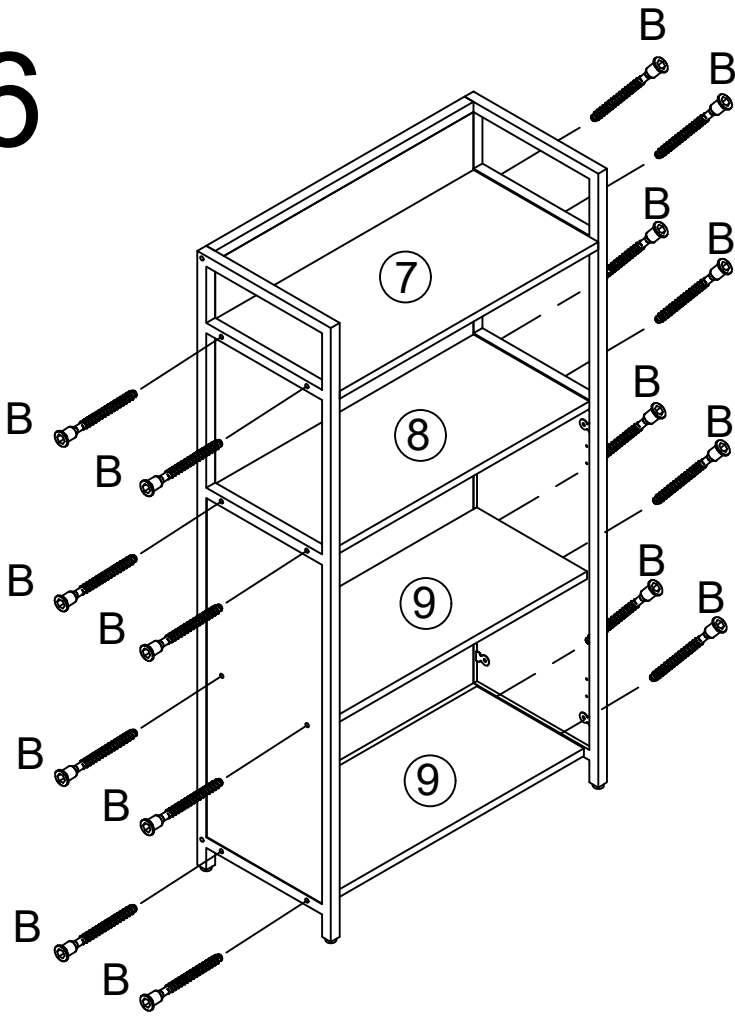
A		4 PCS
---	---	-------


5



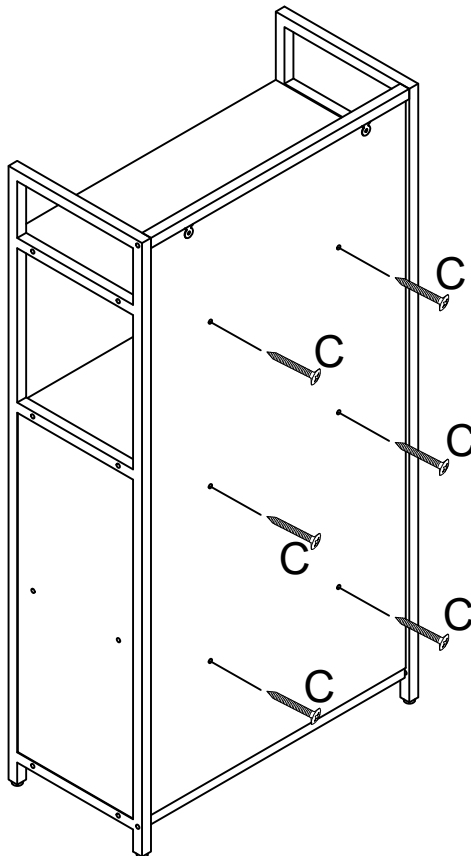
D		4 PCS
---	---	-------


6



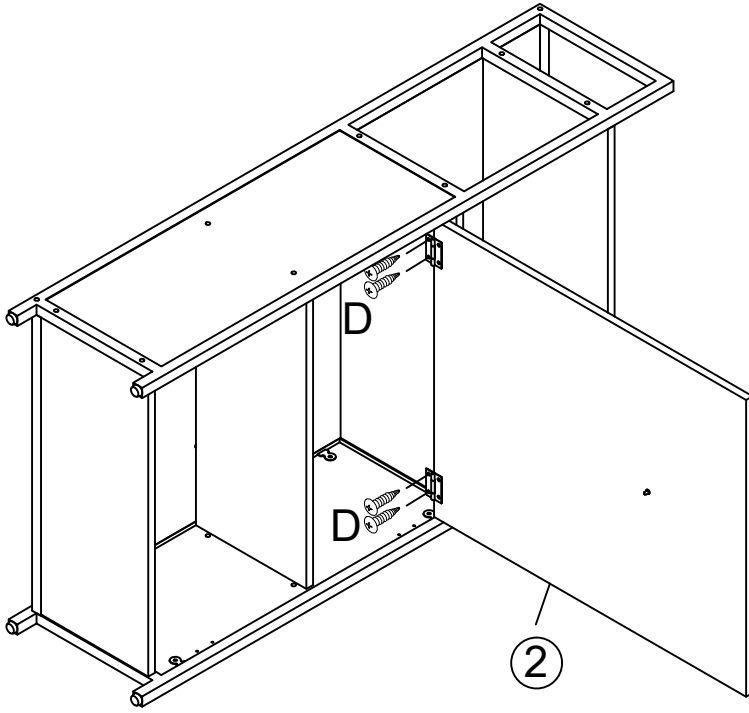
B		16 PCS
---	---	--------

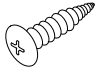
7



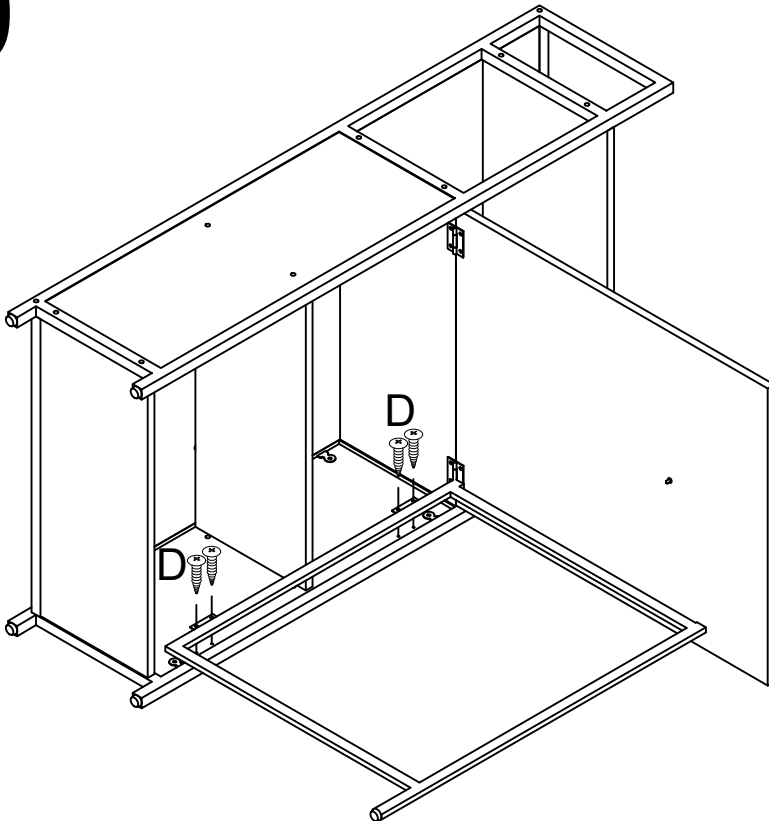
C		6 PCS
---	---	-------

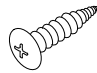
8



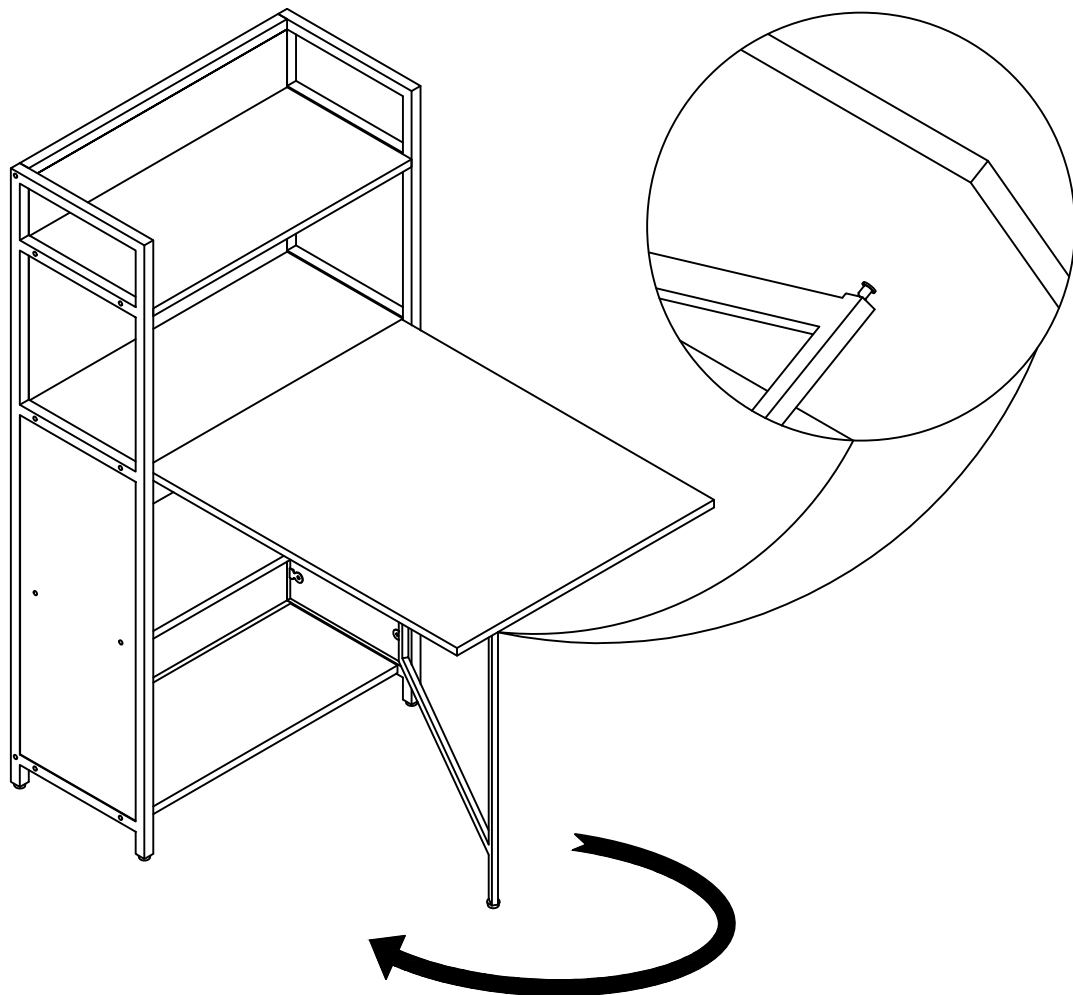
D		4 PCS
---	---	-------

9



D		4 PCS
---	---	-------

10



11

