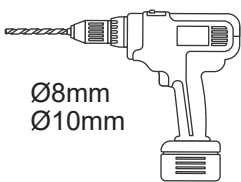
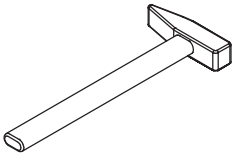
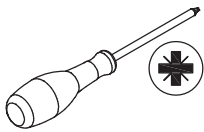
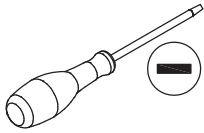
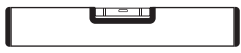
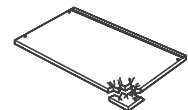
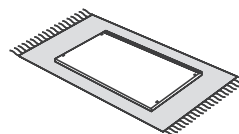
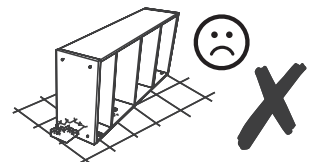
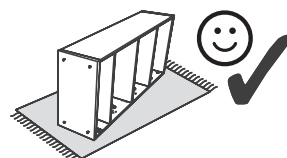
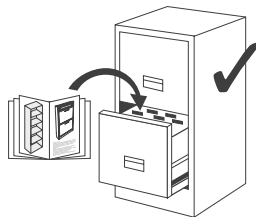
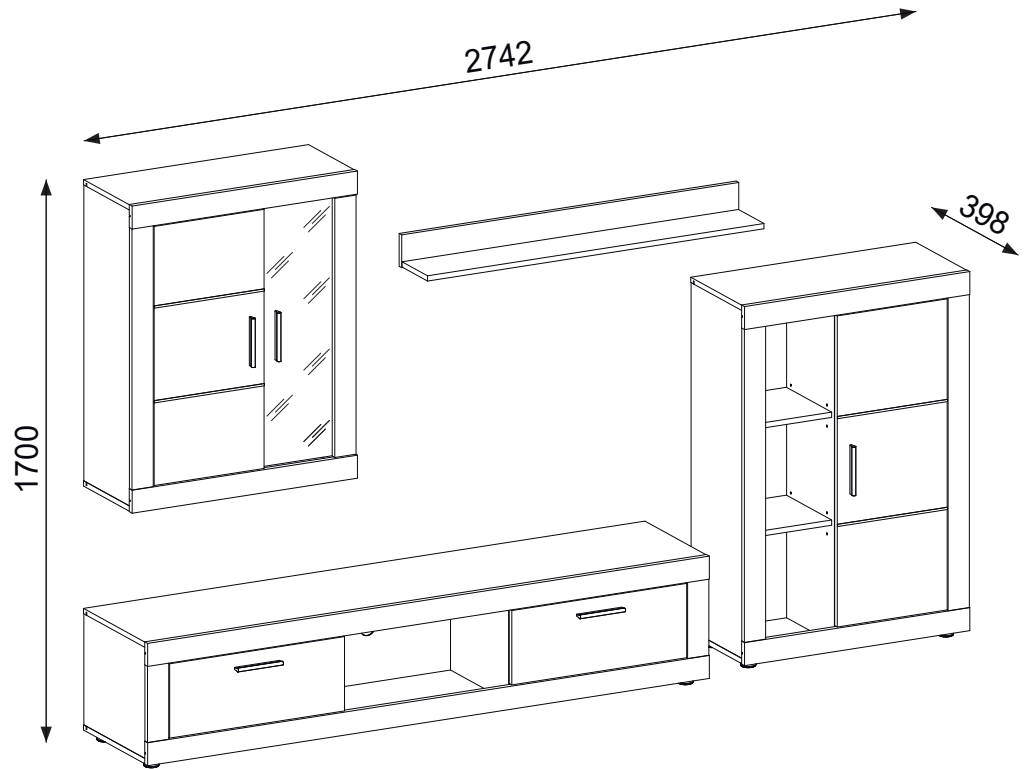


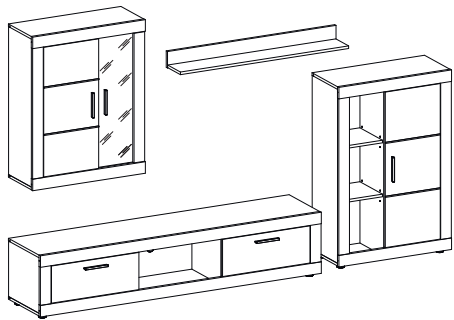


Modell **стенка FIORDO**

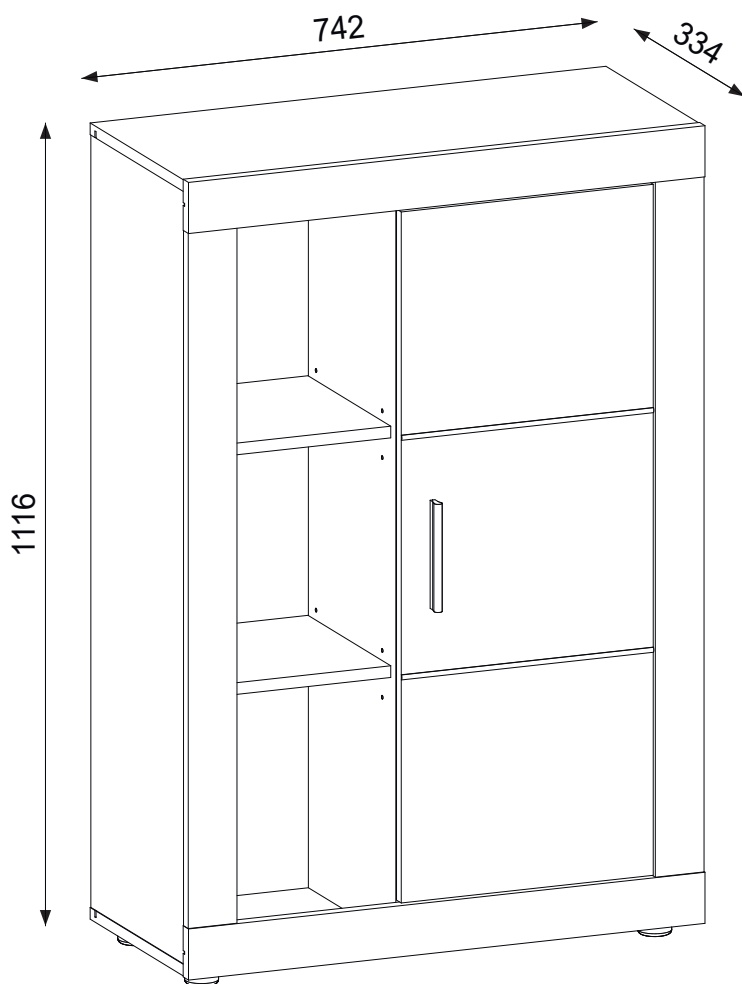


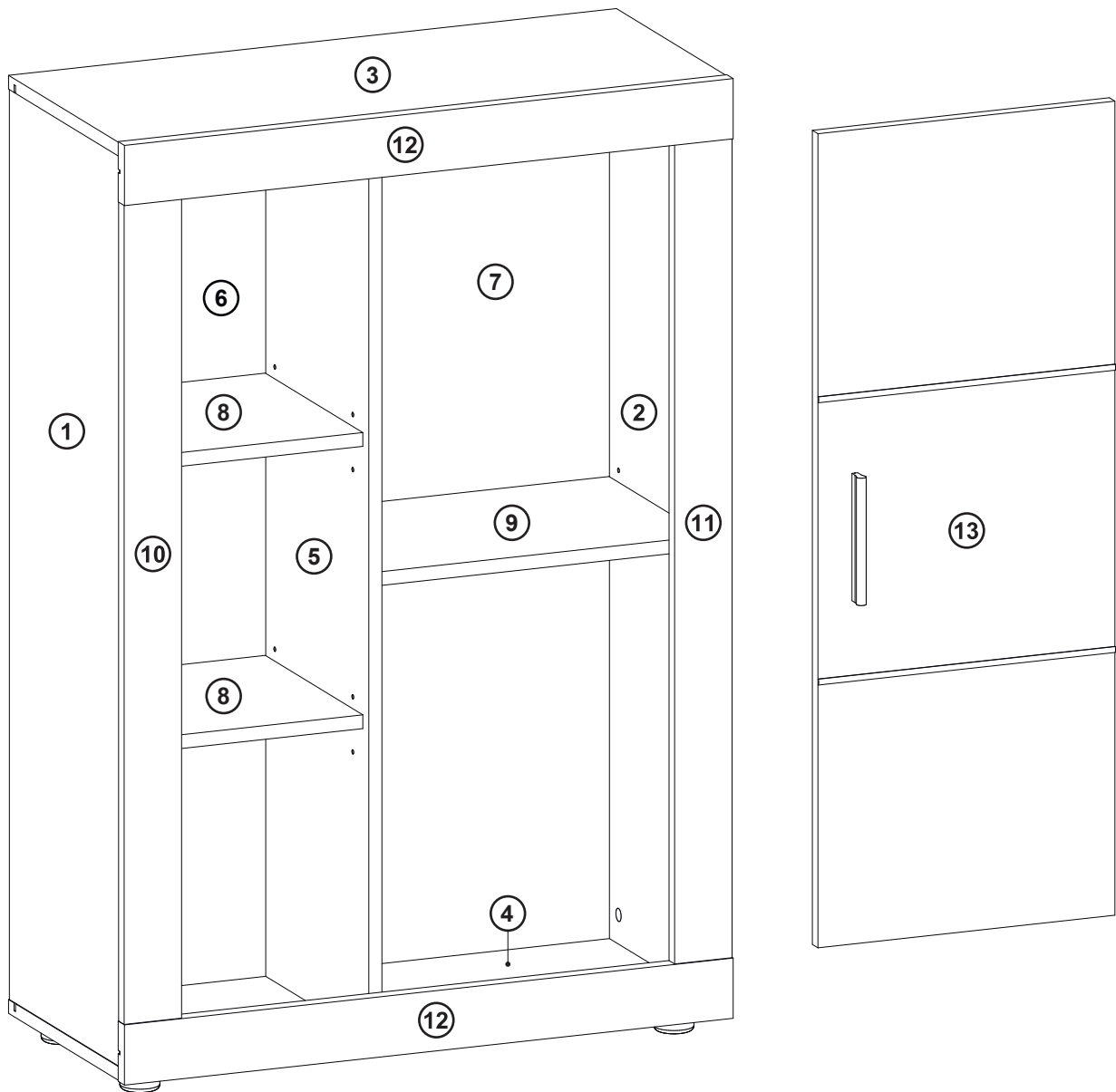
Ø8mm
Ø10mm





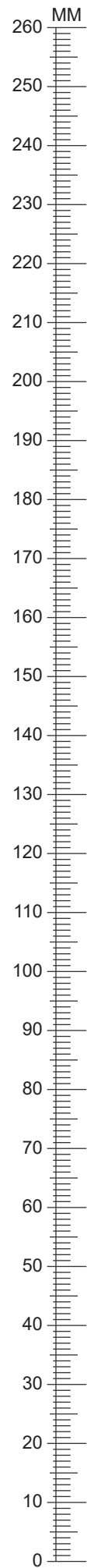
FIORDO FR1 SHAFKA 1DR

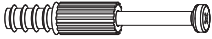


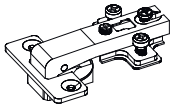




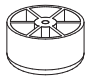

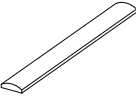

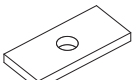



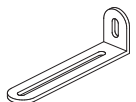




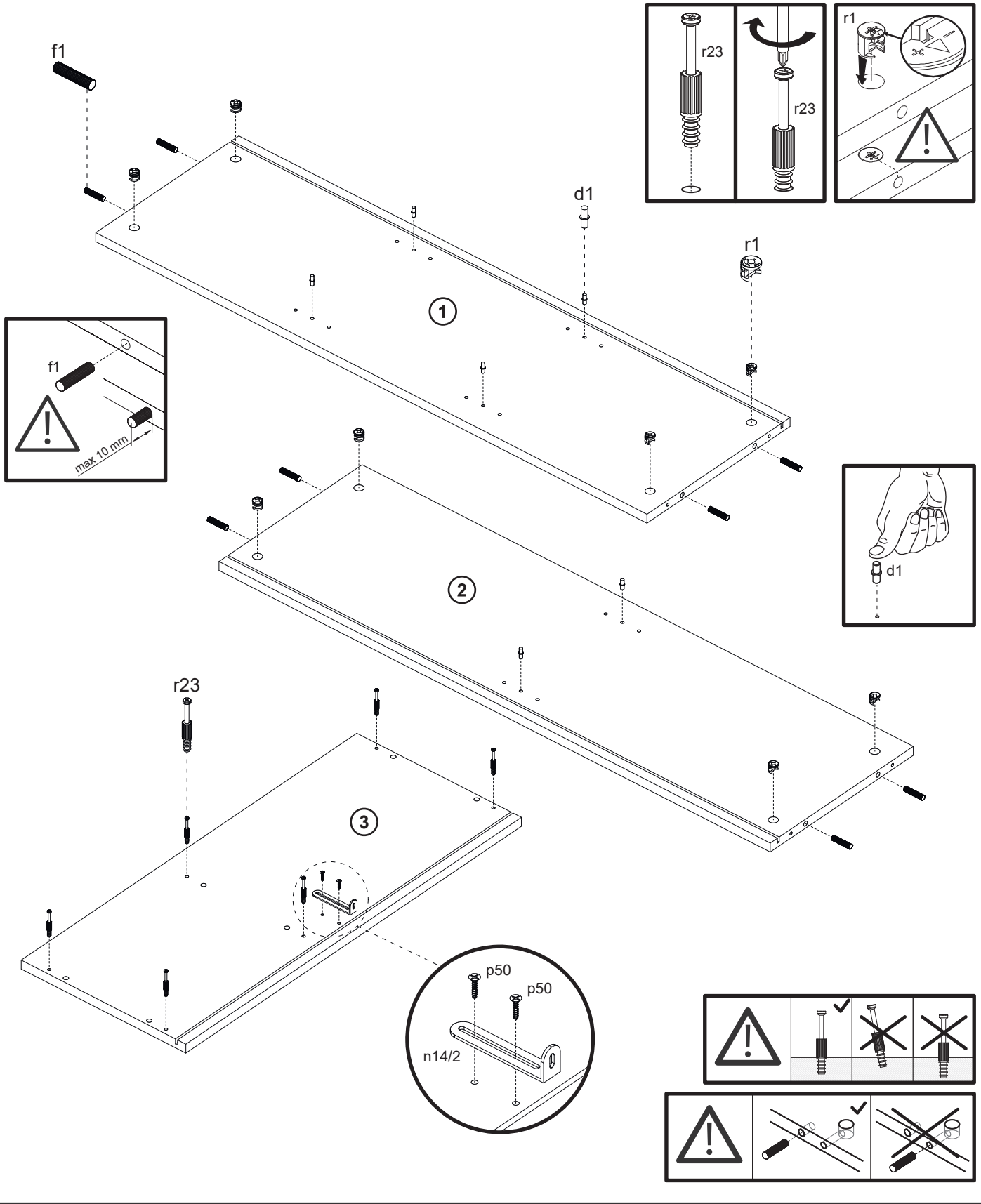
A	B (mm)			C	D
1	1058	316	16	x1	1/3
2	1058	316	16	x1	1/3
3	741	316	16	x1	1/3
4	741	316	16	x1	1/3
5	1058	296	16	x1	1/3
6	1072	302	2.5	x1	1/3
7	1072	417	2.5	x1	1/3
8	287	280	16	x2	1/3

A	B (mm)			C	D
9	402	280	16	x1	1/3
10	952	70	16	x1	1/3
11	952	70	16	x1	1/3
12	742	70	18	x2	1/3
13	946	362	16	x1	1/3

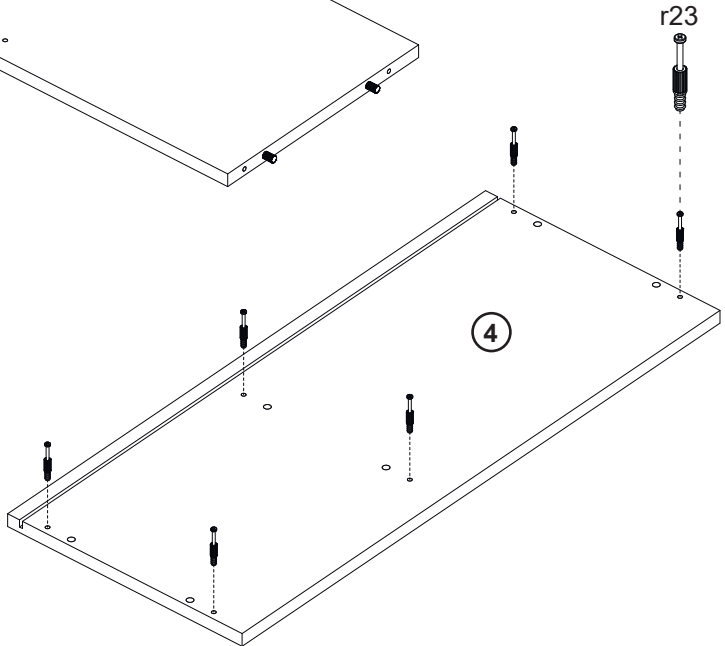
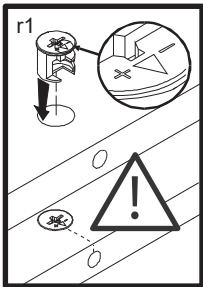
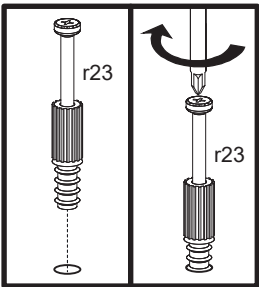
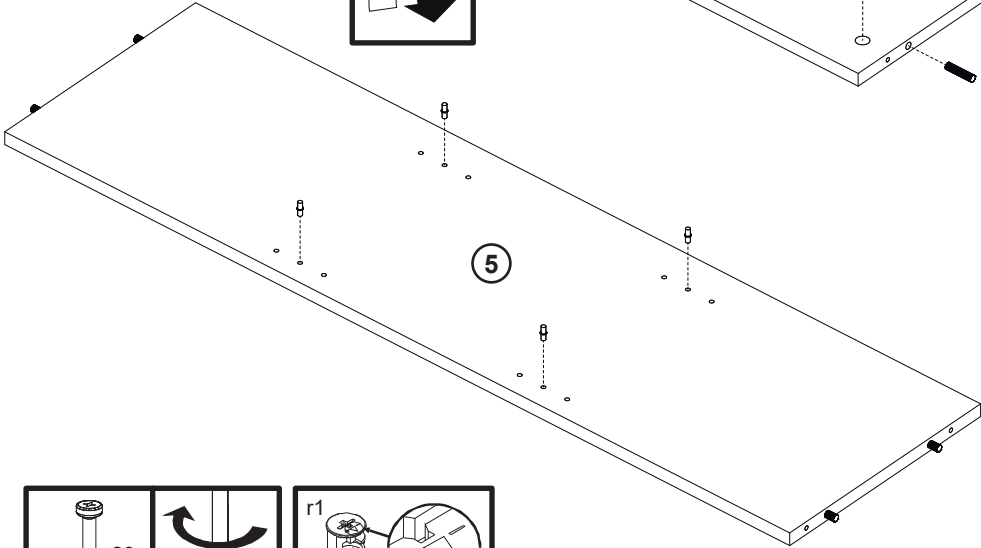
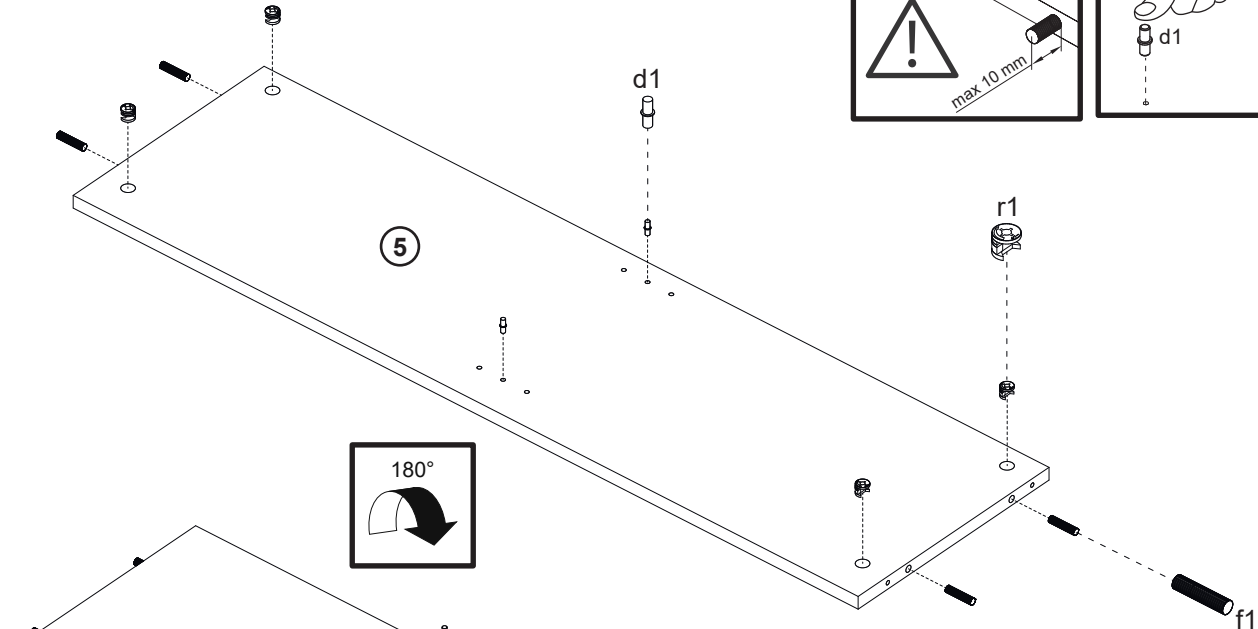
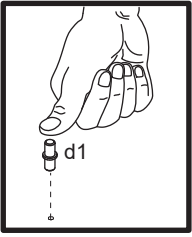
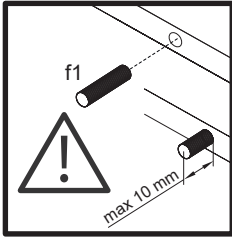


<p>12x</p>  <p>45mm r23</p>	<p>12x</p>  <p>Ø 15x12mm r1</p>	<p>12x</p>  <p>Ø 8x30mm f1</p>
<p>2x</p>  <p>Ø 35mm ab3</p>	<p>12x</p>  <p>Ø 5mm d1</p>	<p>12x</p>  <p>Ø 20mm s1</p>
<p>59x</p>  <p>Ø 3x16mm p50</p>	<p>4x</p>  <p>Ø 3,5x16mm p51</p>	<p>5x</p>  <p>25x45x45mm k43</p>
<p>13x</p>  <p>30x30x25mm i1</p>	<p>1x</p>  <p>L=750mm v3</p>	<p>12x</p>  <p>10x10x15mm l2</p>
<p>5x</p>  <p>L=20x10x2 mm n108</p>	<p>2x</p>  <p>Ø 4,2x25mm p25</p>	<p>5x</p>  <p>Ø 4x20mm p27</p>
<p>1x</p>  <p>L=128/148mm c239</p>	<p>1x</p>  <p>L=75x25x15mm n14/2</p>	

1	f1 x 8	r1 x 8	r23 x 6	d1 x 6	n14/2 x 1	p50 x 2
	Ø 8x30mm	Ø 15x12mm	45mm	Ø 5mm	L=75x25x15mm	Ø 3x16mm



2	f1 x 4	r1 x 4	r23 x 6	d1 x 6
	Ø 8x30mm	Ø 15x12mm	45mm	Ø 5mm

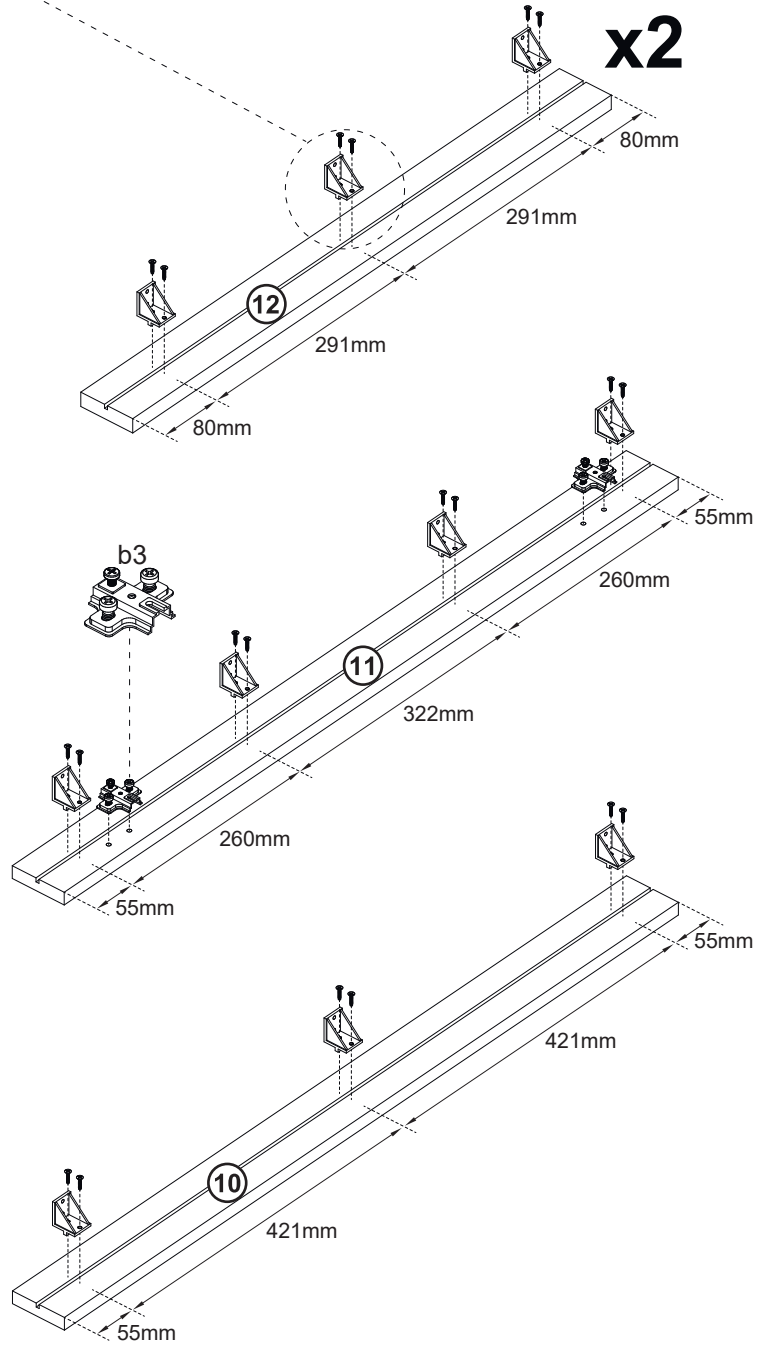
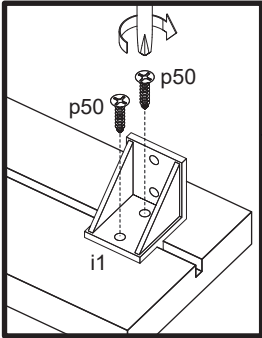
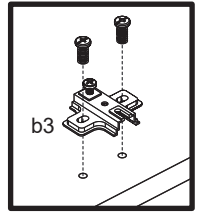
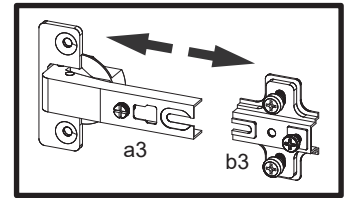



3

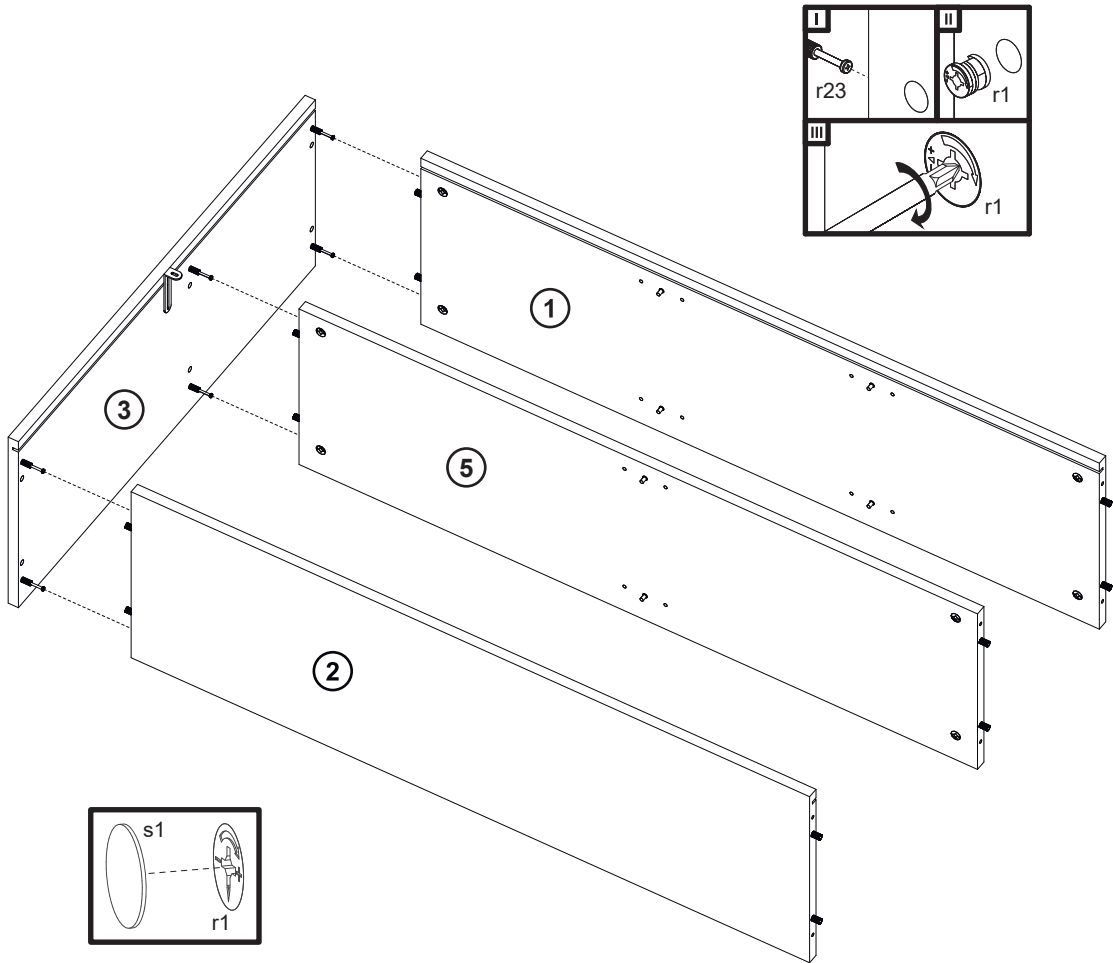
b3 x 2
40x50x12mm

i1 x 13
30x30x25mm

p50 x 26
Ø 3x16mm



4	s1 x 6
	
	Ø 20mm

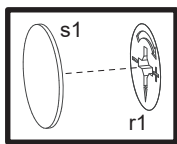
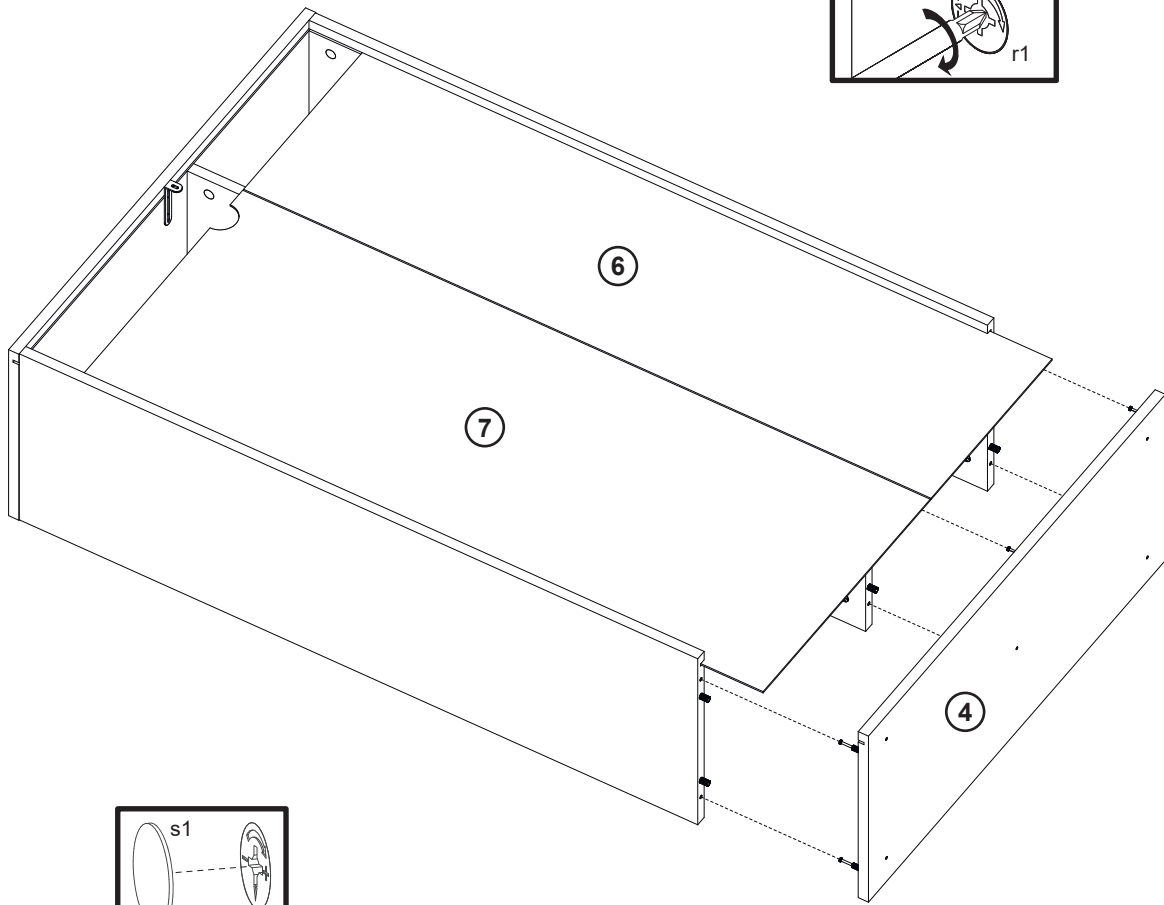
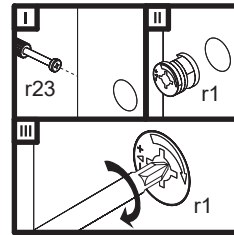


5

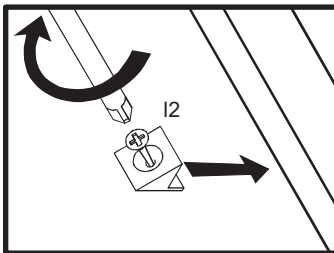
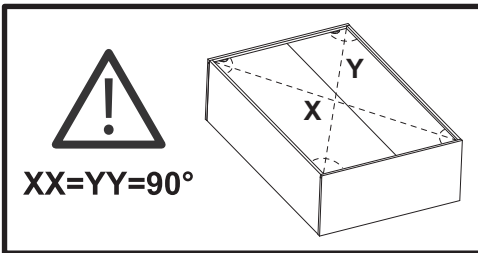
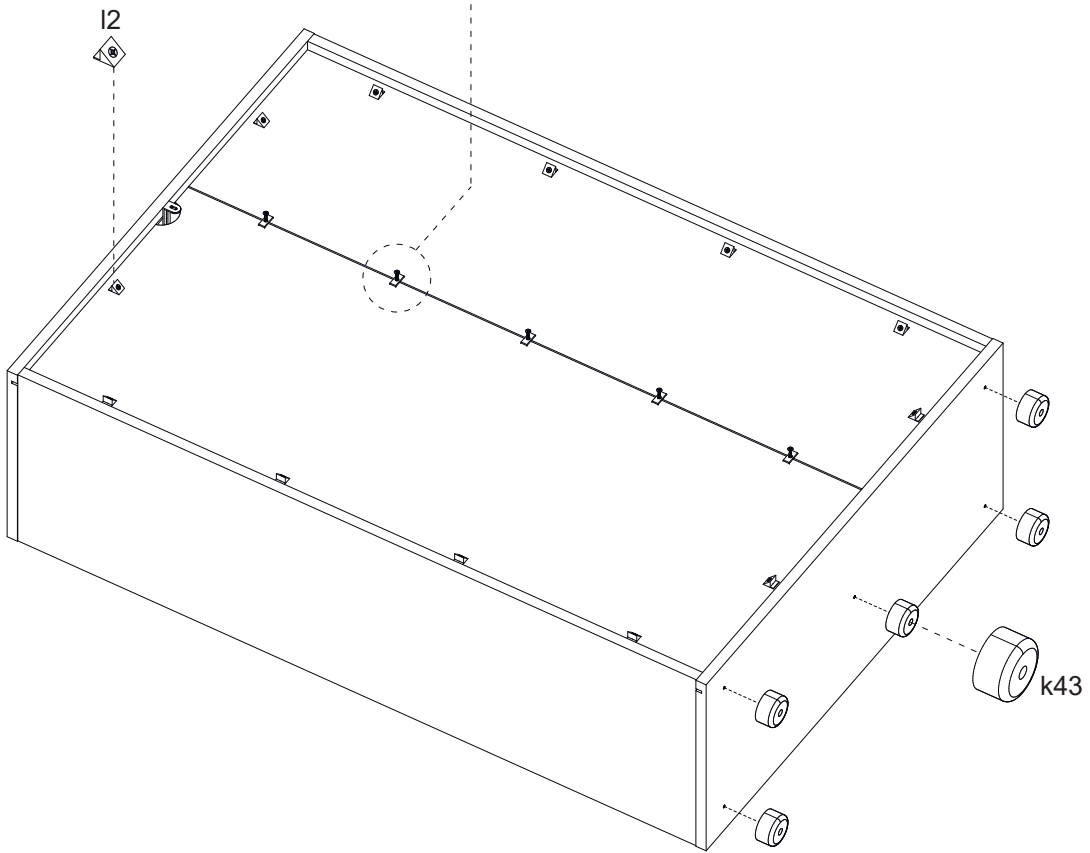
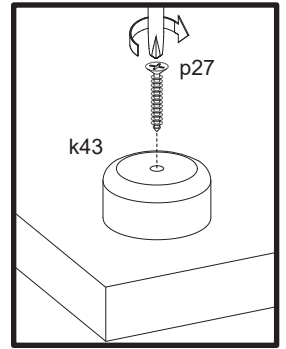
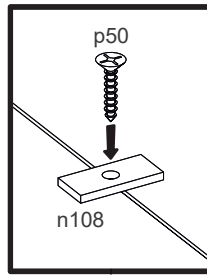
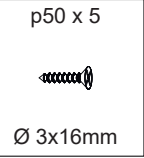
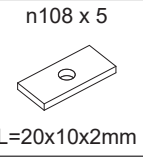
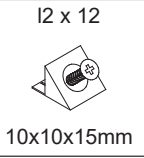
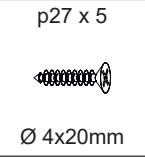
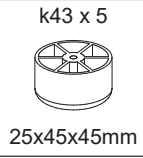
s1 x 4



Ø 20mm



6

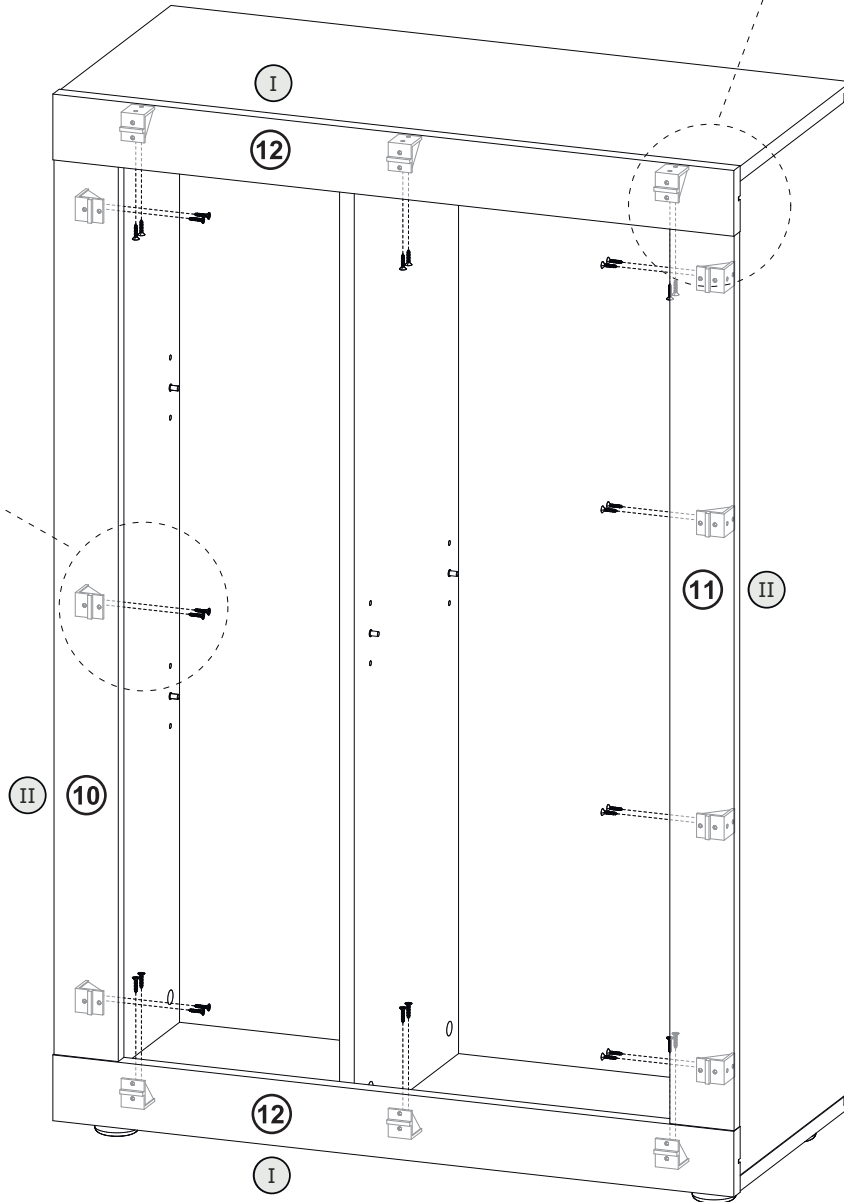
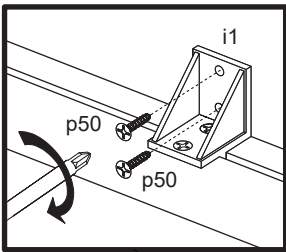
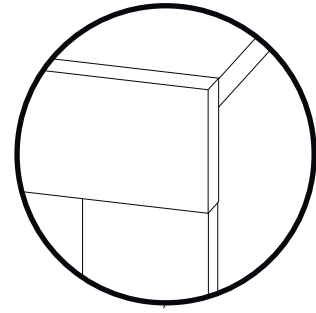


7

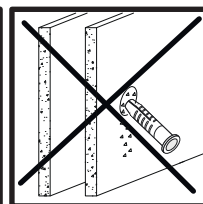
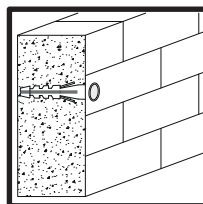
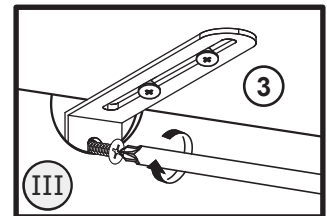
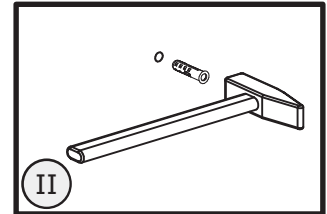
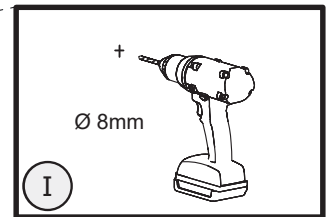
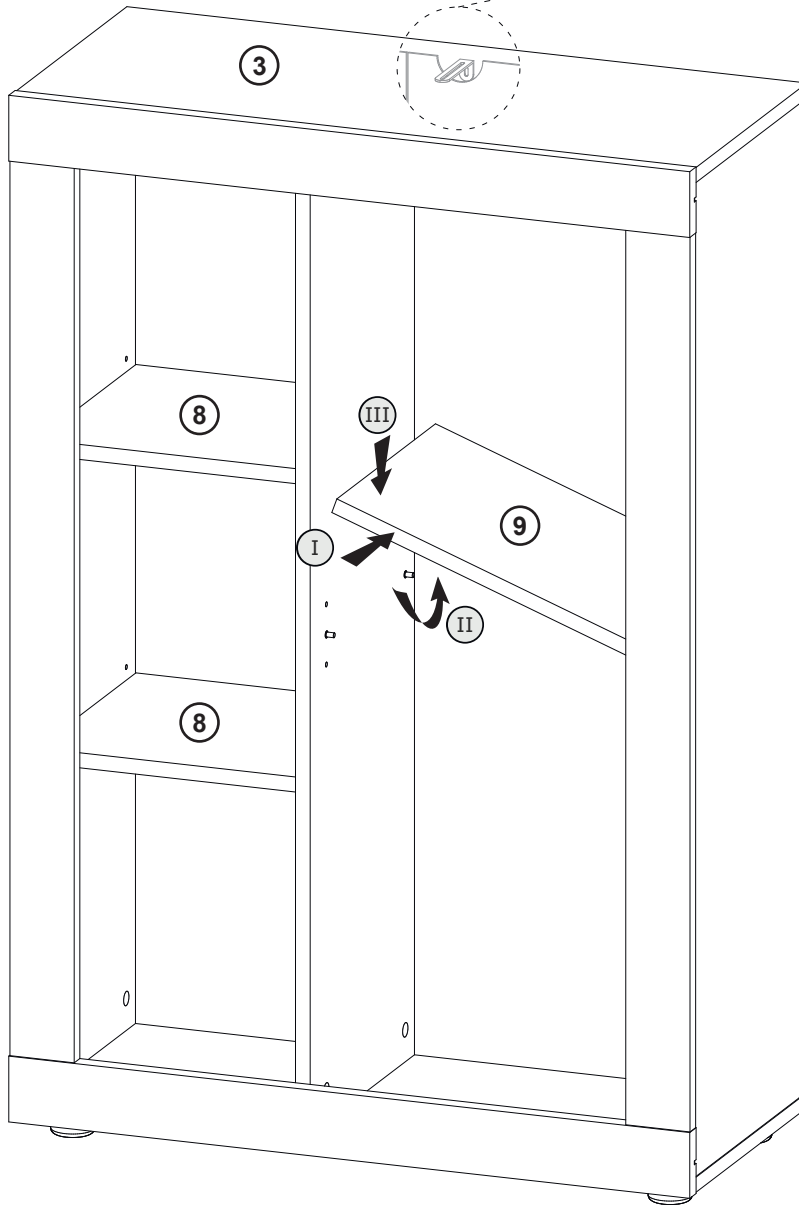
p50 x 26



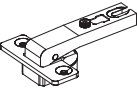



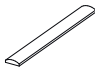
Ø 3x16mm

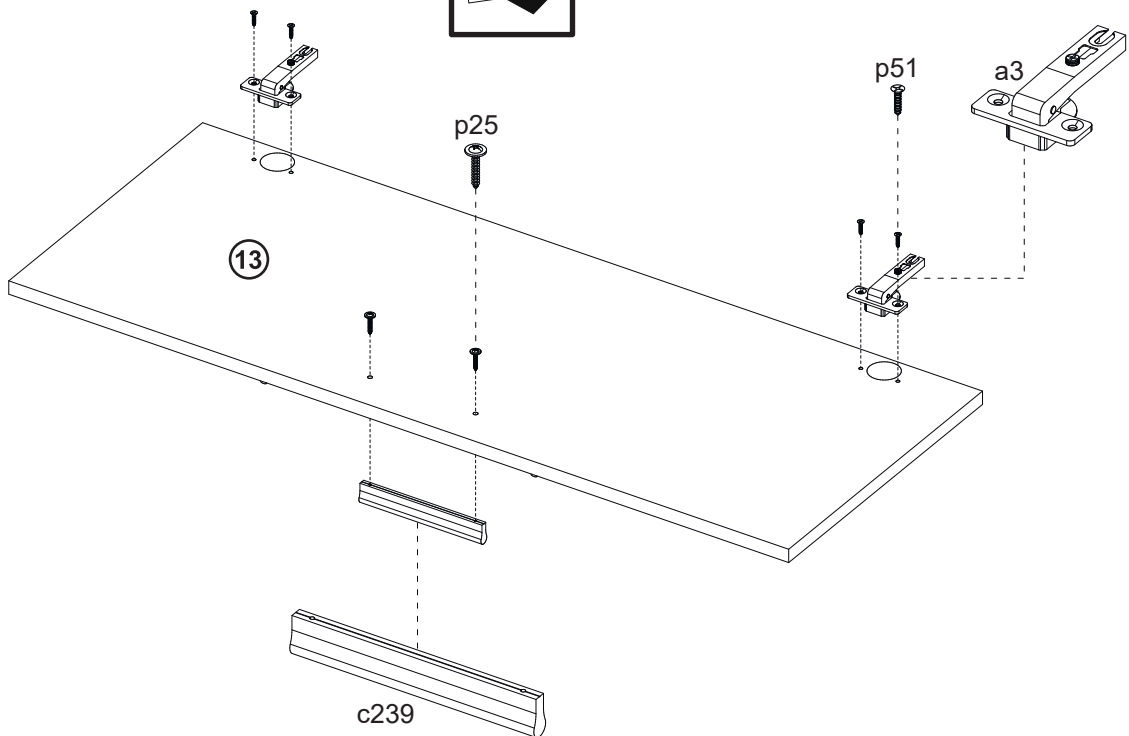
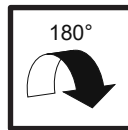
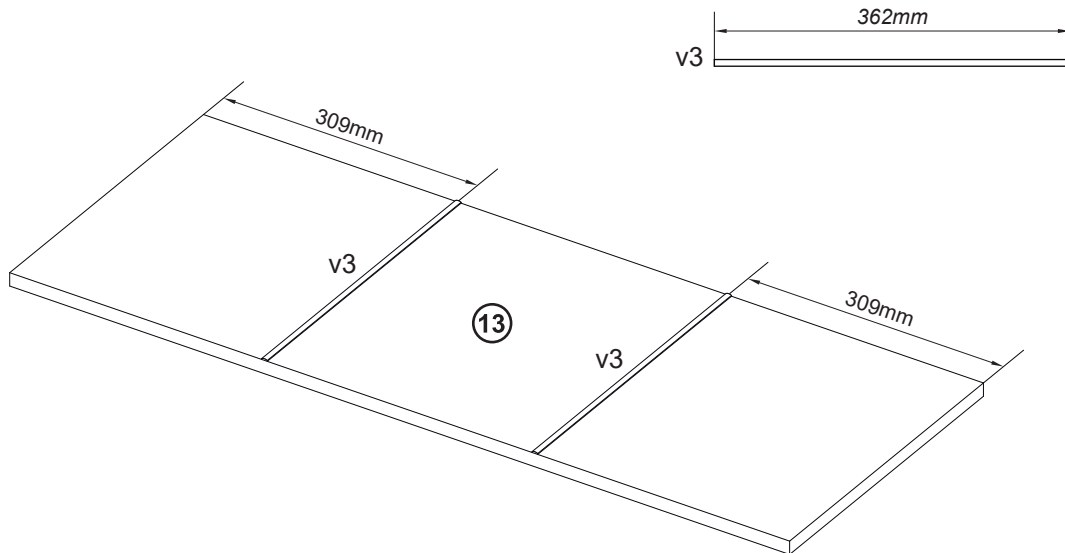


8

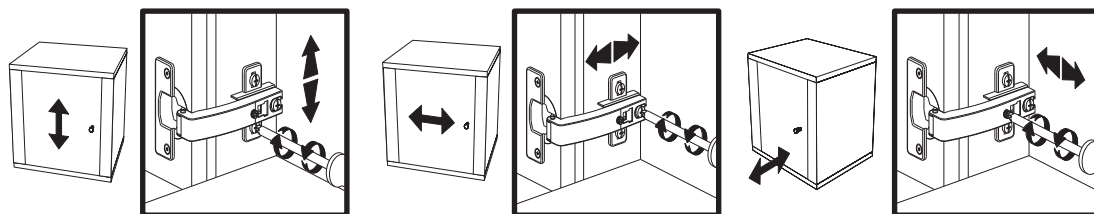
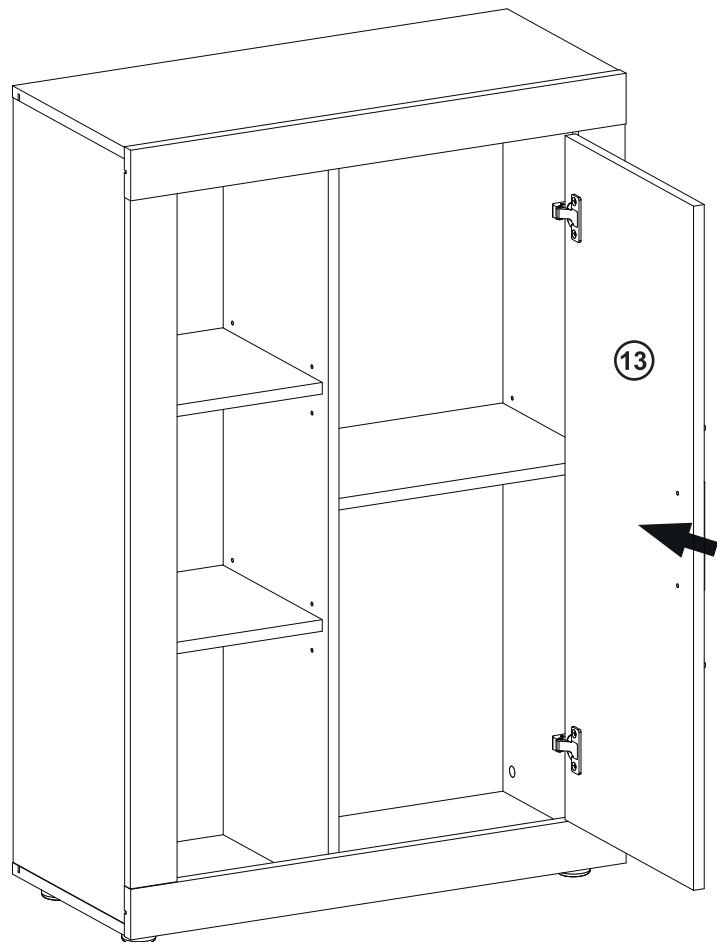


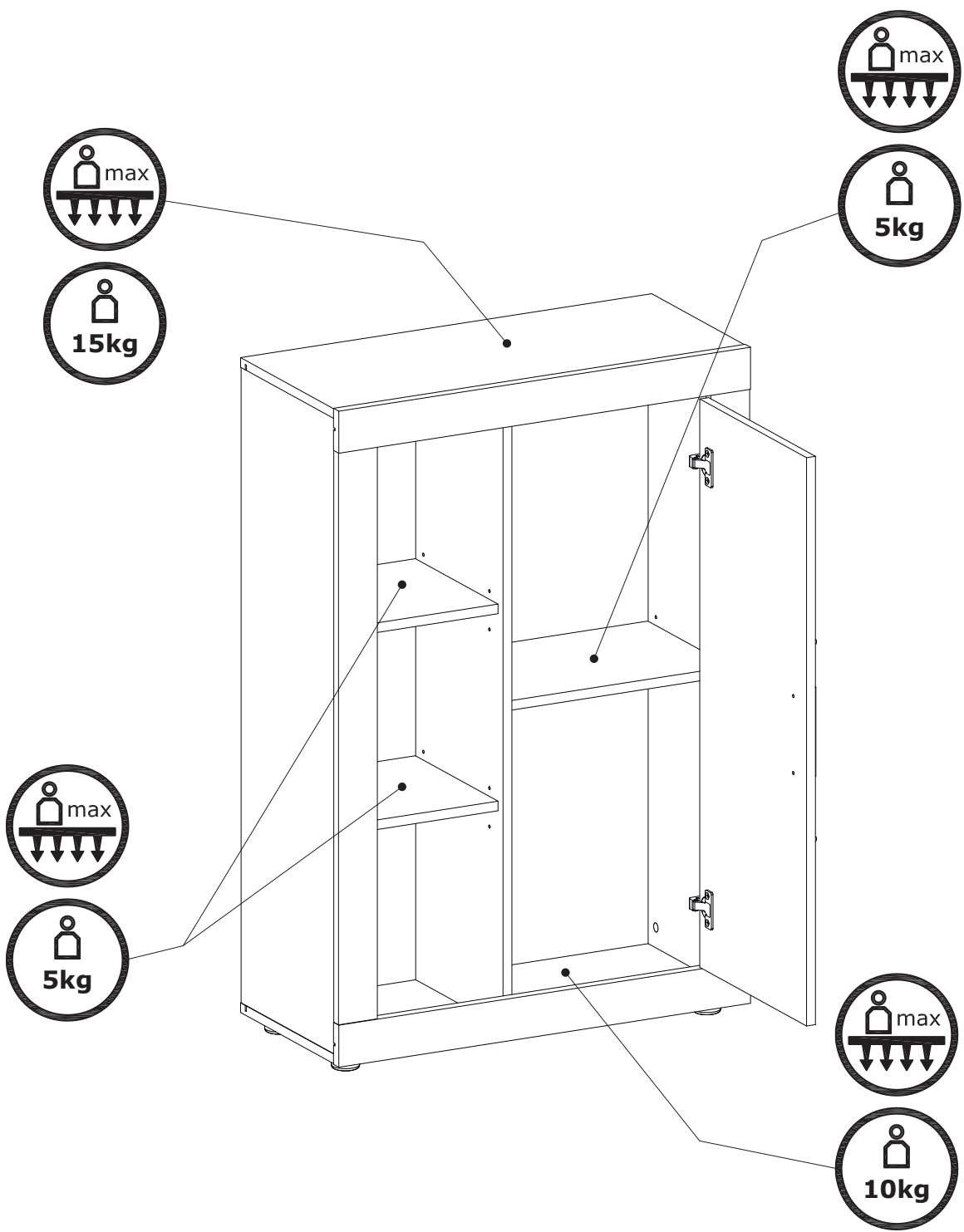
9

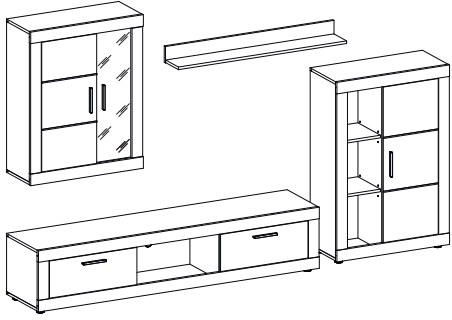
 a3 x 2 Ø 35mm	 p51 x 4 Ø 3,5x16mm	 c239 x 1 L=128/148mm	 p25 x 2 Ø 4,2x25mm	 v3 x 1 L=750mm
---	--	--	--	---



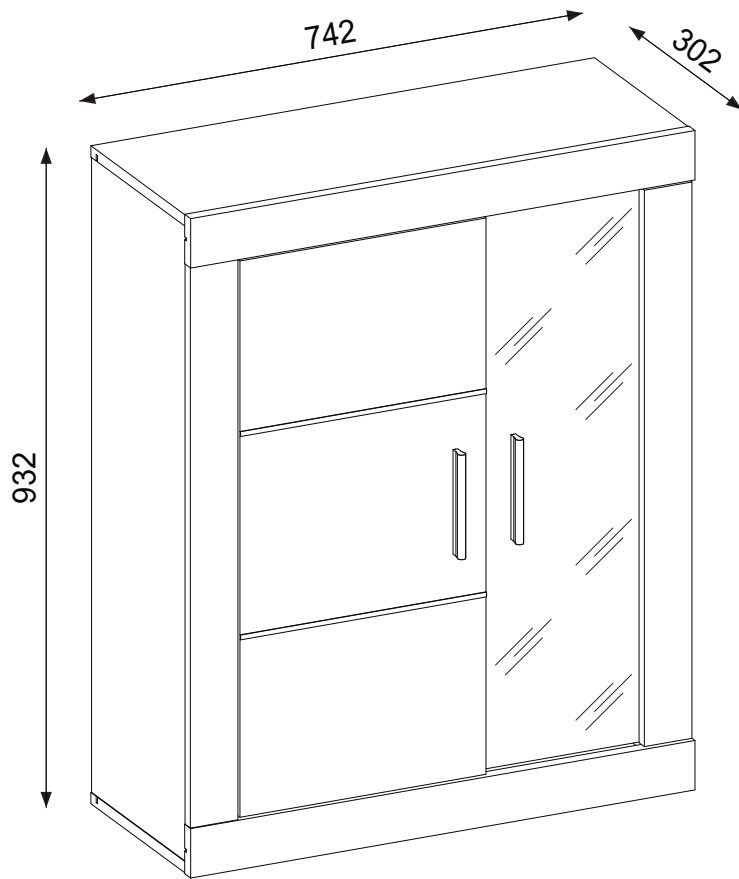
10

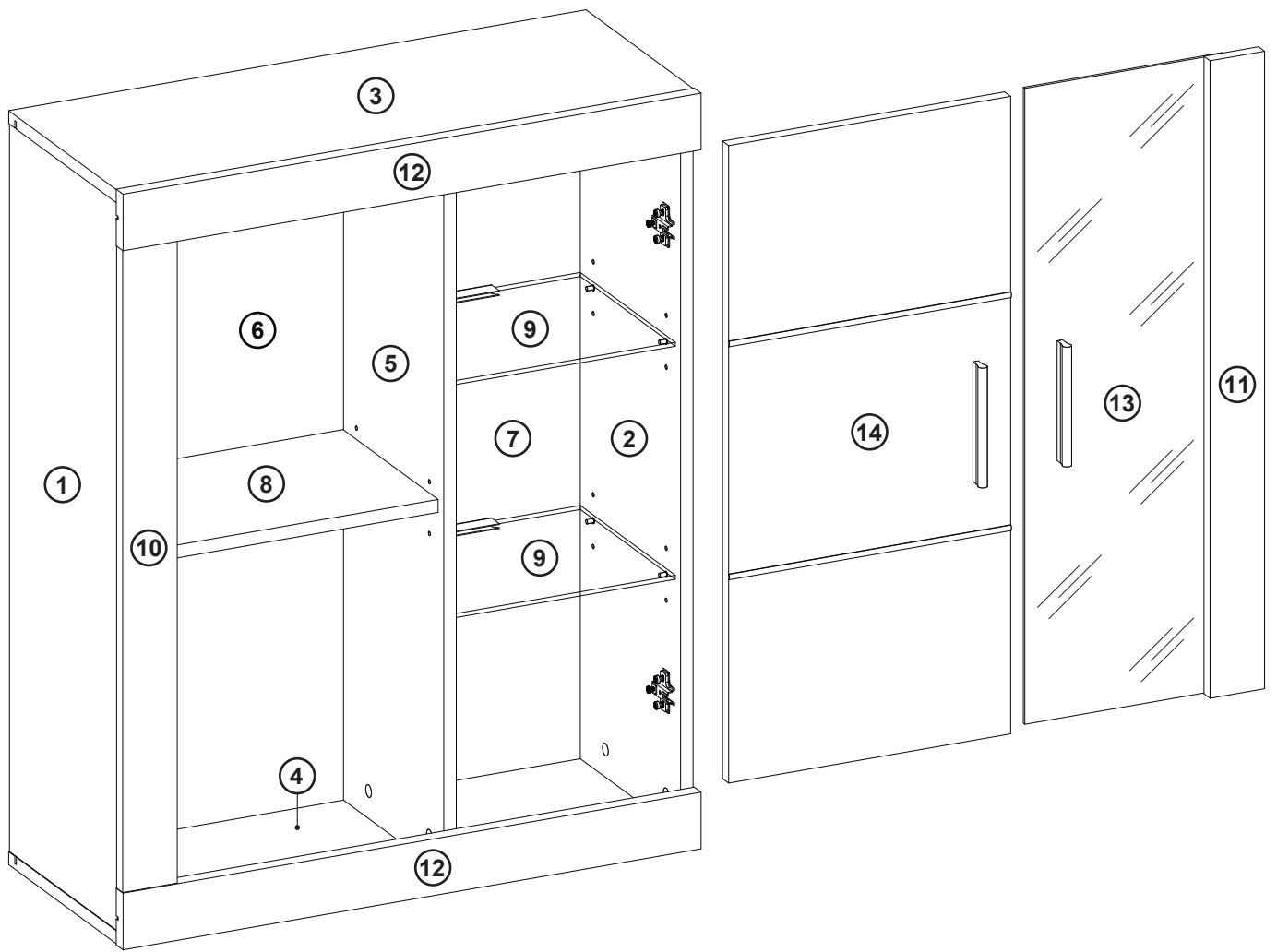






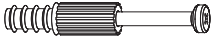


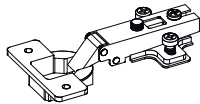
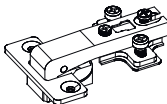





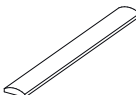
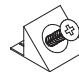



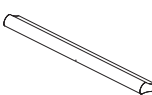


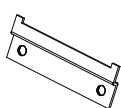
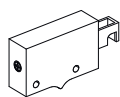
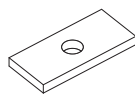
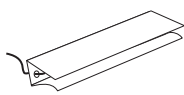
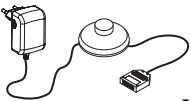
FIORDO FR2 SHAFKA 1D1W

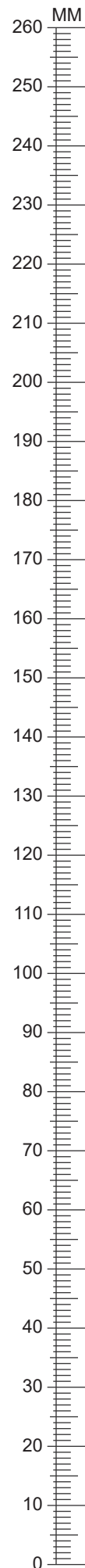




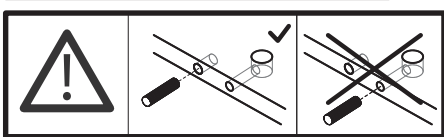
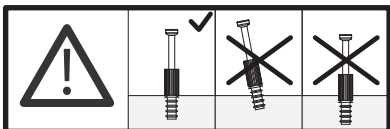
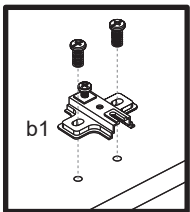
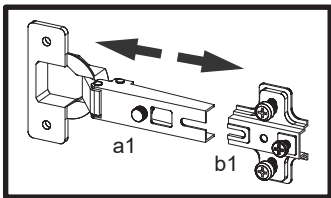
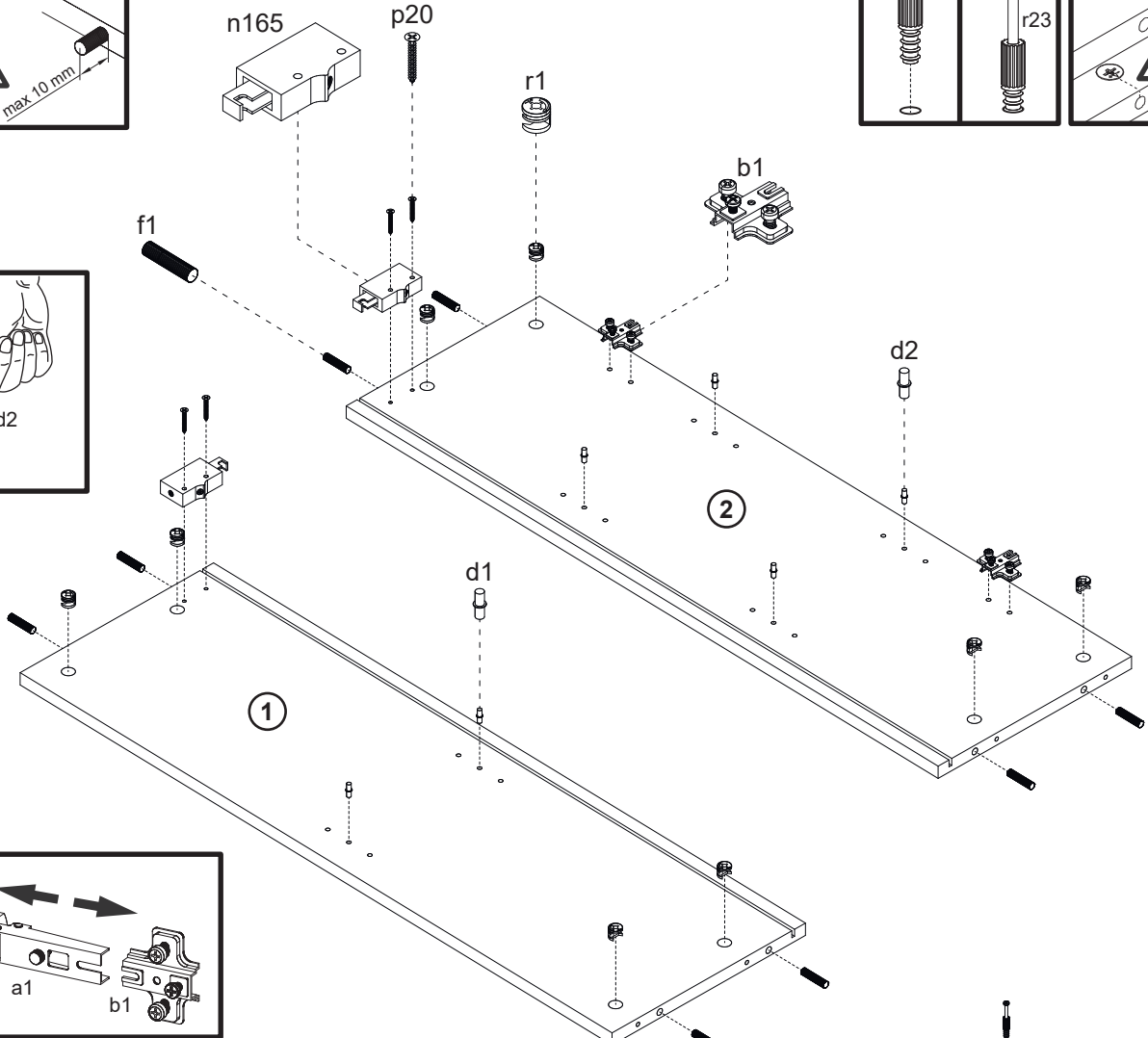
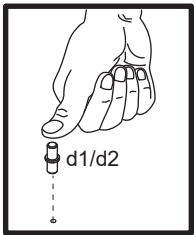
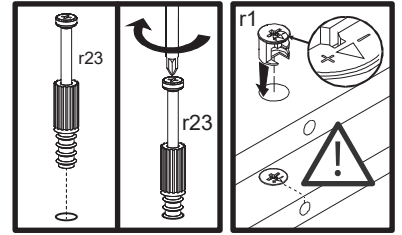
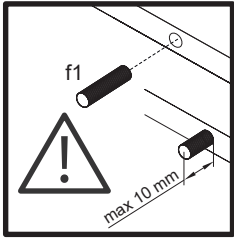
A	B (mm)			C	D
1	900	284	16	x1	2/3
2	900	284	16	x1	2/3
3	741	284	16	x1	2/3
4	741	284	16	x1	2/3
5	900	264	16	x1	2/3
6	914	417	2.5	x1	2/3
7	914	302	2.5	x1	2/3
8	402	250	16	x1	2/3

A	B (mm)			C	D
9	287	250	5	x2	2/3
10	794	70	16	x1	2/3
11	788	70	16	x1	2/3
12	742	70	18	x2	2/3
13	786	255	4	x1	2/3
14	788	362	16	x1	2/3

<p>12x</p>  <p>45mm r23</p>	<p>12x</p>  <p>Ø 15x12mm r1</p>	<p>12x</p>  <p>Ø 8x30mm f1</p>
<p>2x</p>  <p>Ø 35mm ab1</p>	<p>2x</p>  <p>Ø 35mm ab3</p>	<p>12x</p>  <p>Ø 20mm s1</p>
<p>45x</p>  <p>Ø 3x16mm p50</p>	<p>8x</p>  <p>Ø 3,5x16mm p51</p>	<p>5x</p>  <p>10x6x10mm d6</p>
<p>10x</p>  <p>30x30x25mm i1</p>	<p>1x</p>  <p>L=750mm v3</p>	<p>12x</p>  <p>10x10x15mm l2</p>
<p>6x</p>  <p>Ø 4x30 mm p20</p>	<p>5x</p>  <p>Ø 4,2x16mm p21</p>	<p>2x</p>  <p>Ø 4,2x25mm p25</p>
<p>2x</p>  <p>L=128/148mm c239</p>	<p>4x</p>  <p>Ø 5mm d1</p>	<p>10x</p>  <p>Ø 5mm d2</p>
<p>3x</p>  <p>j1</p>	<p>3x</p>  <p>n165</p>	<p>5x</p>  <p>L=20x10x2 mm n108</p>
<p>2x</p>  <p>60x21x12mm x1/1</p>	<p>1x</p>  <p>x1/2</p>	



1	f1 x 8 Ø 8x30mm	r1 x 8 Ø 15x12mm	r23 x 6 45mm	d1 x 2 Ø 5mm	d2 x 4 Ø 5mm	b1 x 2 40x50x12mm	n165 x 2 	p20 x 4 Ø 4x30mm
----------	------------------------	-------------------------	---------------------	---------------------	---------------------	--------------------------	--------------	-------------------------



2

f1 x 4



Ø 8x30mm

r1 x 4



Ø 15x12mm

r23 x 6



45mm

d1 x 2



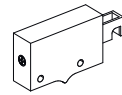
Ø 5mm

d2 x 6



Ø 5mm

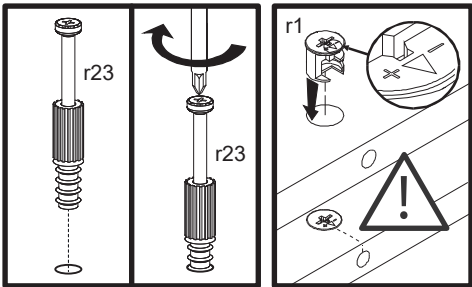
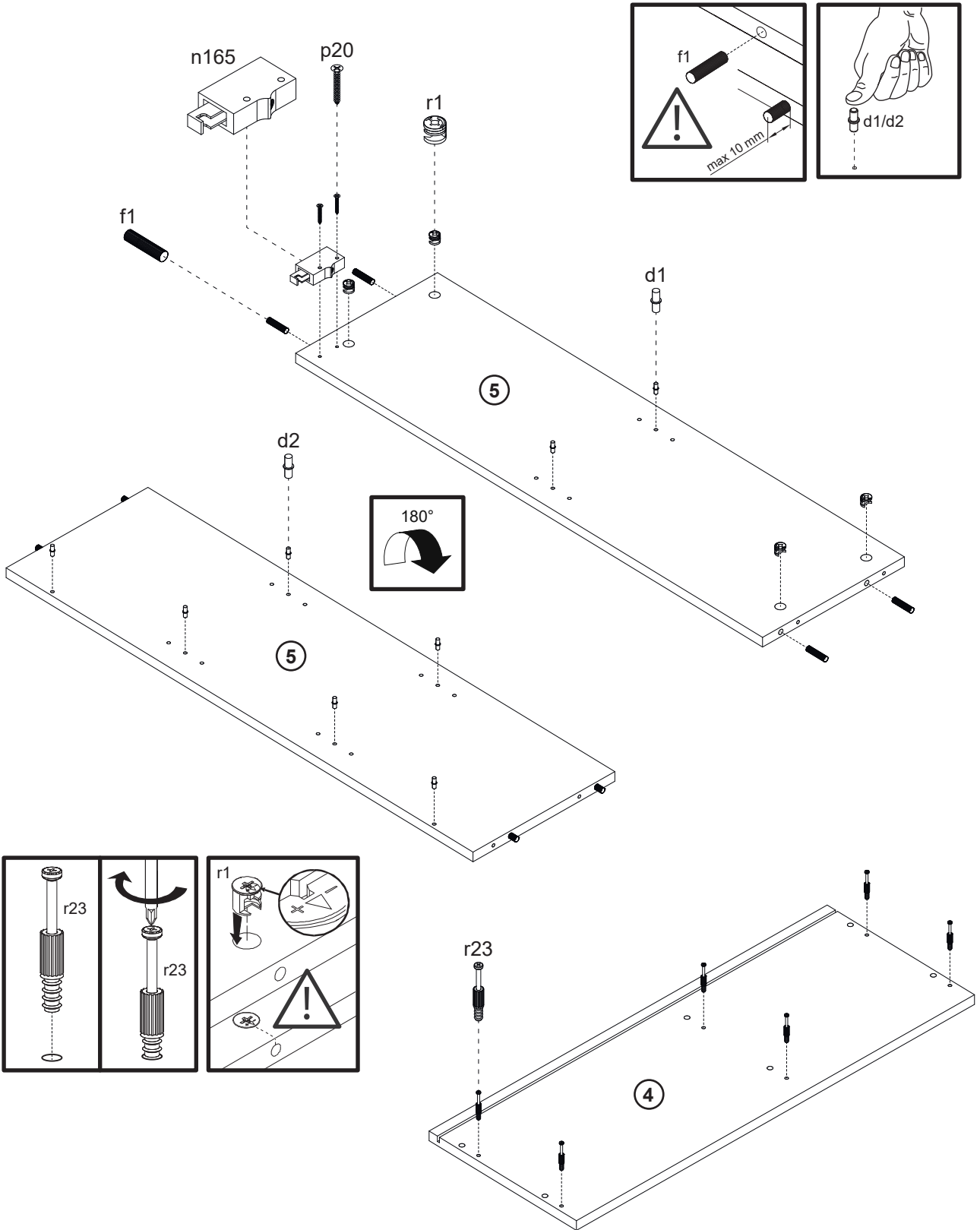
n165 x 1



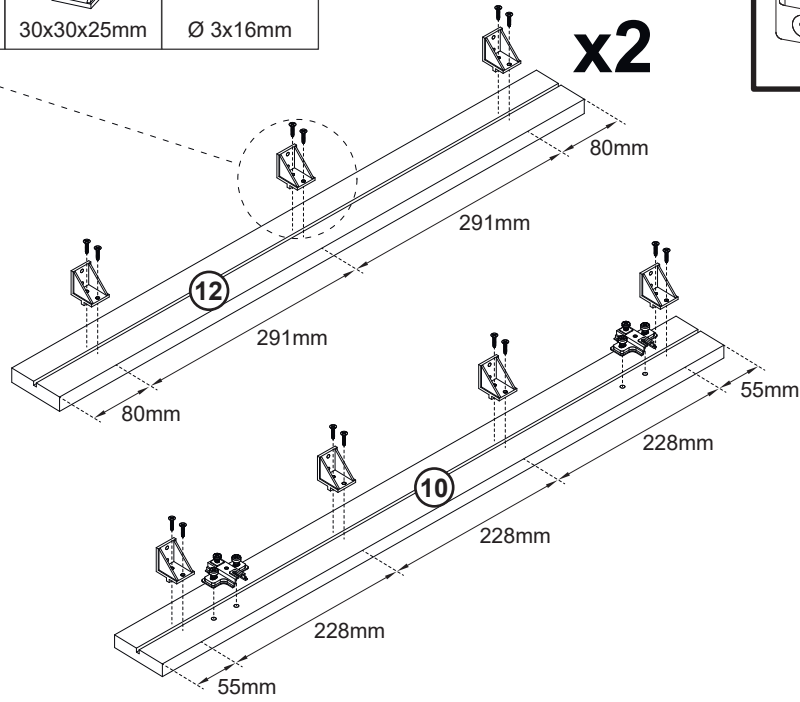
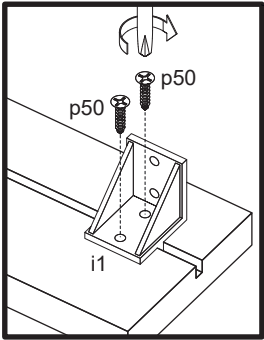
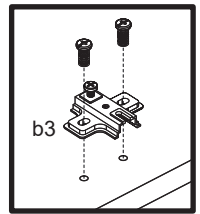
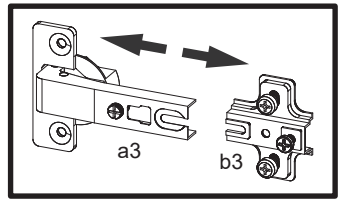
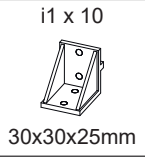
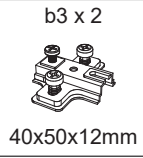
p20 x 2



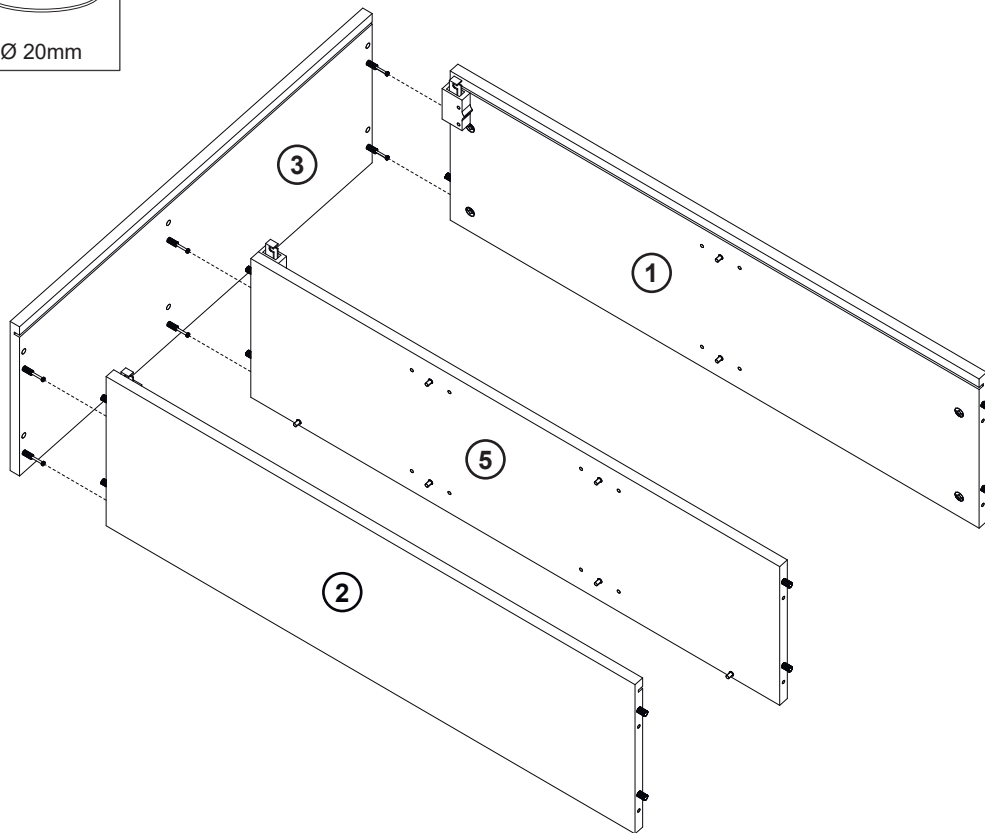
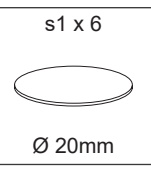
Ø 4x30mm



3



4

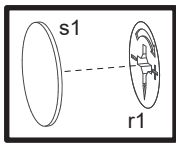
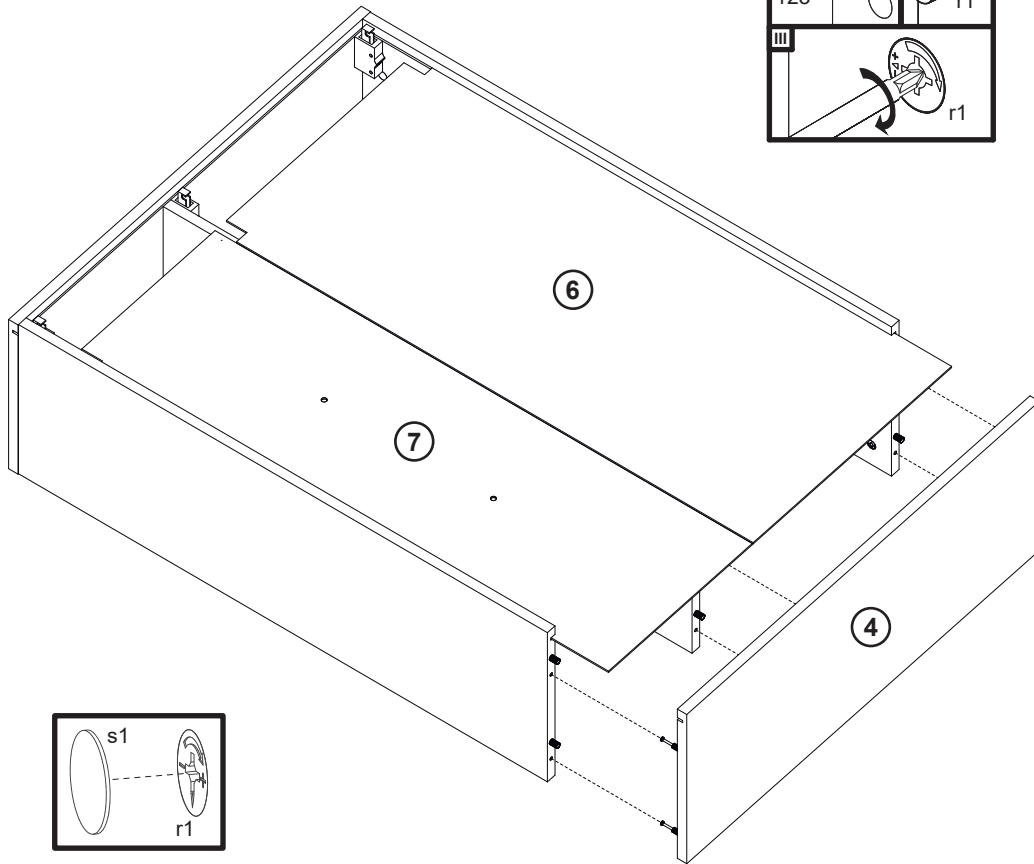
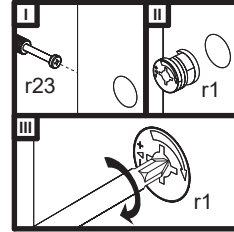


5

s1 x 6



Ø 20mm



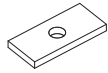
6

l2 x 12



10x10x15mm

n108 x 5

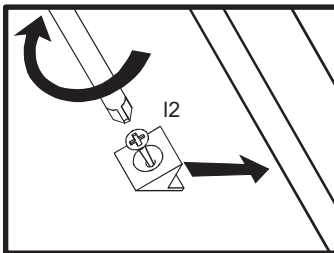
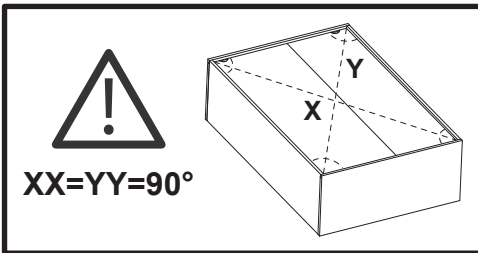
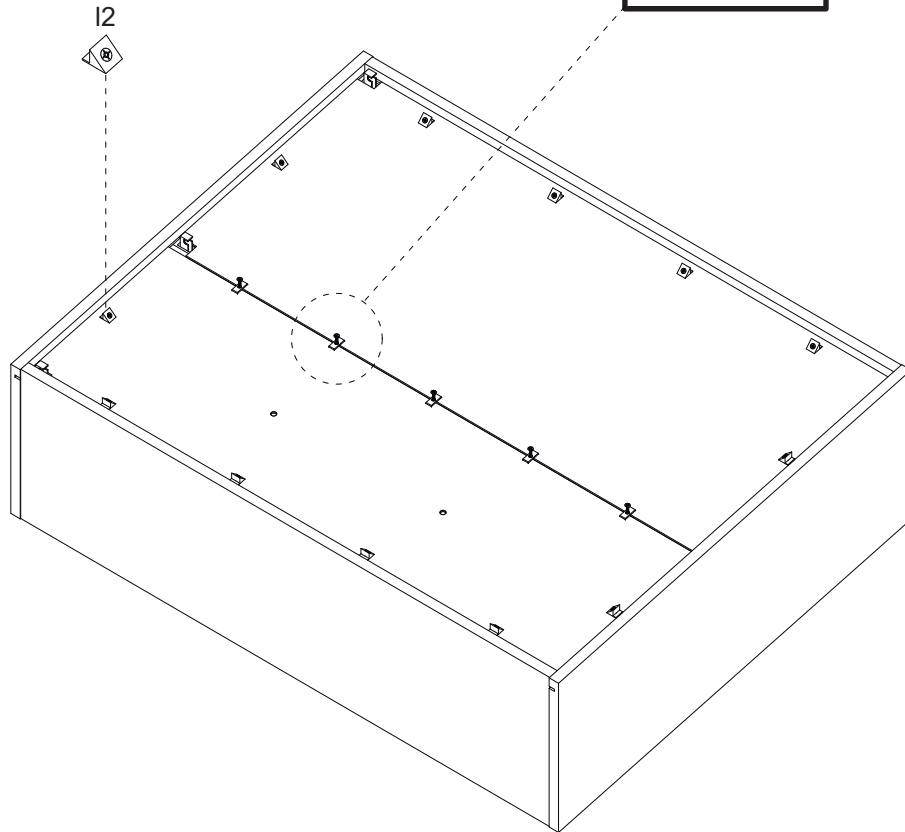
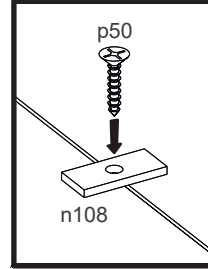


L=20x10x2mm

p50 x 5

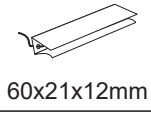


Ø 3x16mm

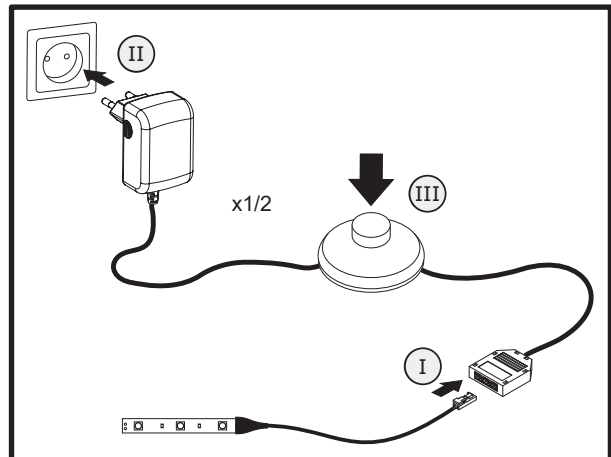
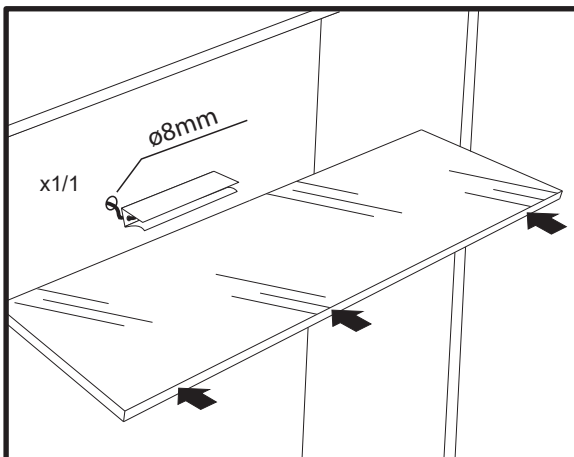
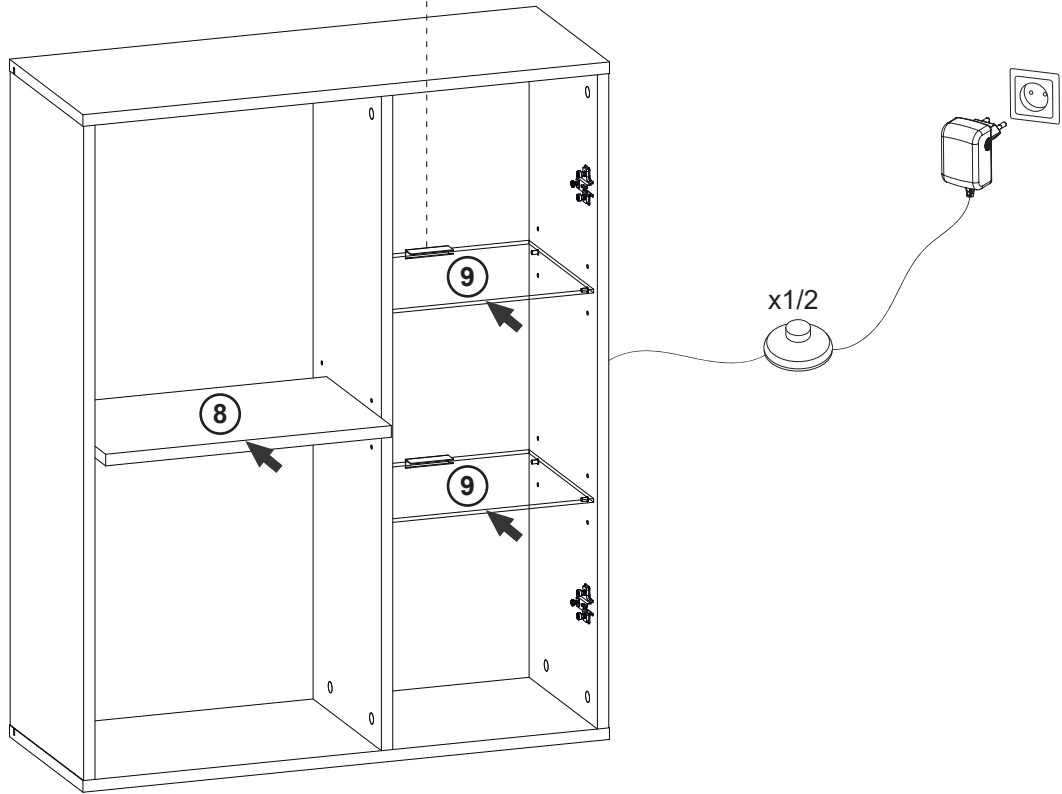
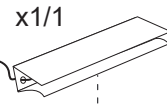
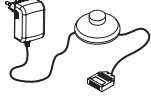


7

x1/1 x 2



x1/2 x 1

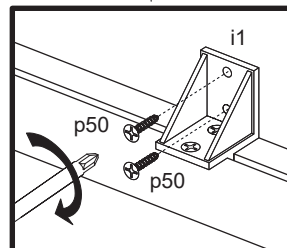
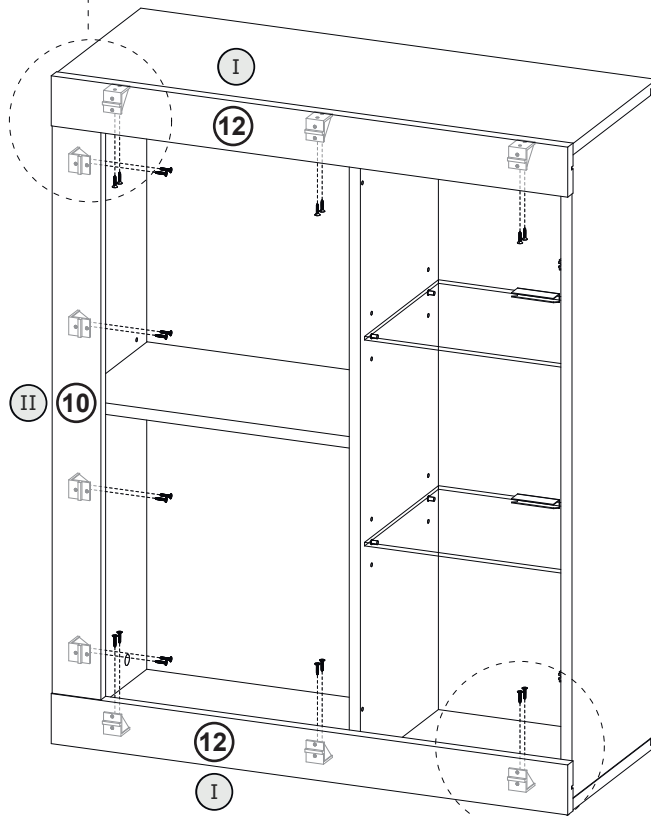
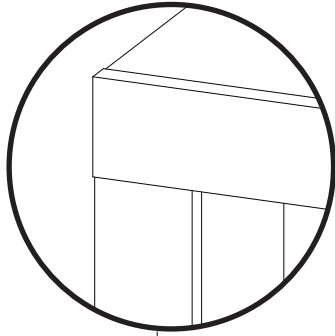


8

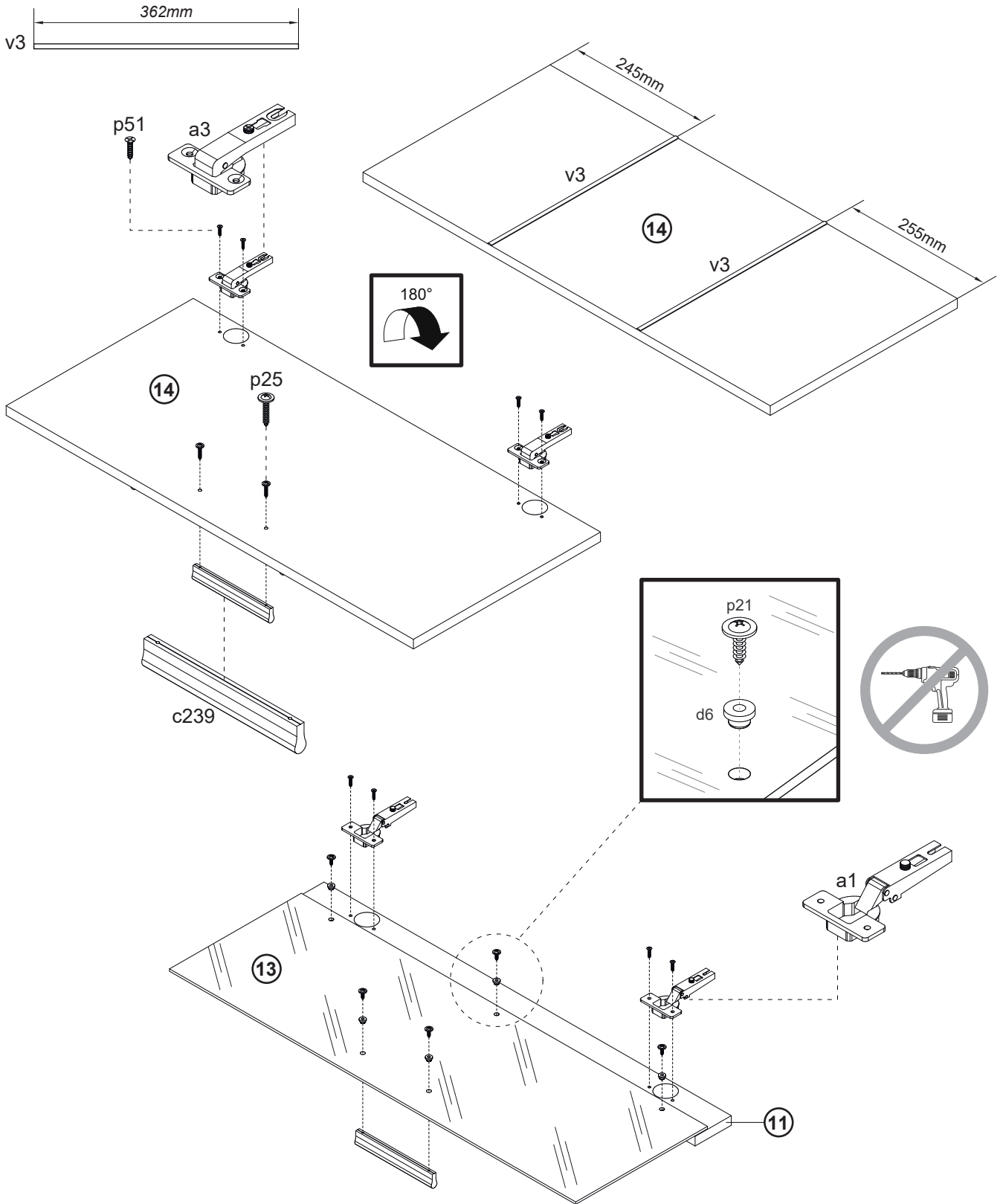
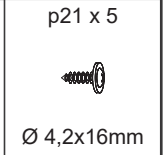
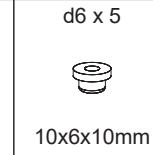
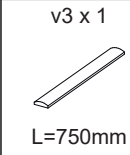
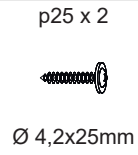
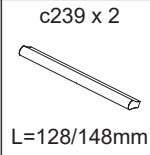
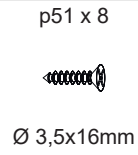
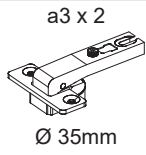
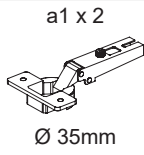
p50 x 20



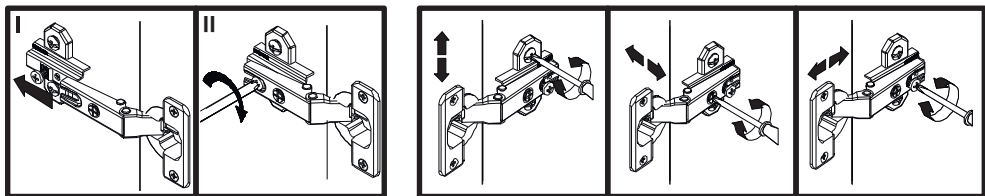
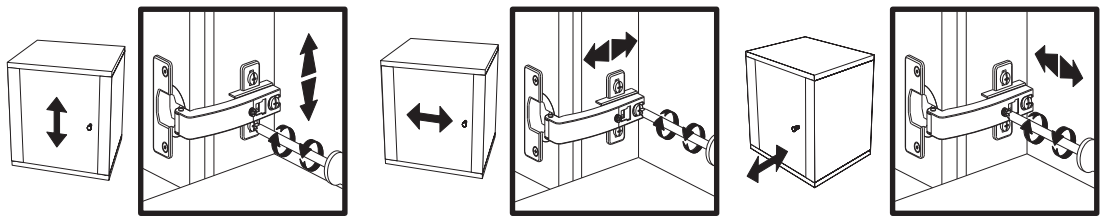
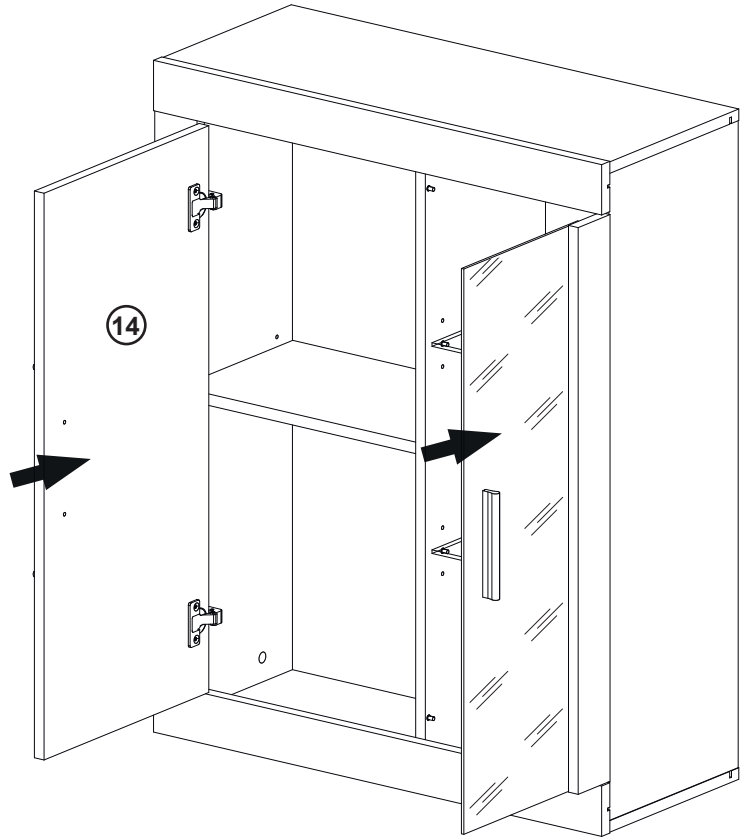
Ø 3x16mm



9



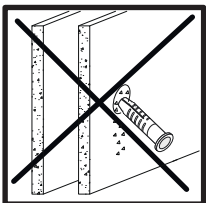
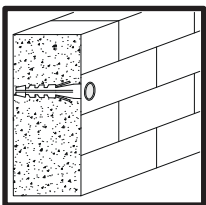
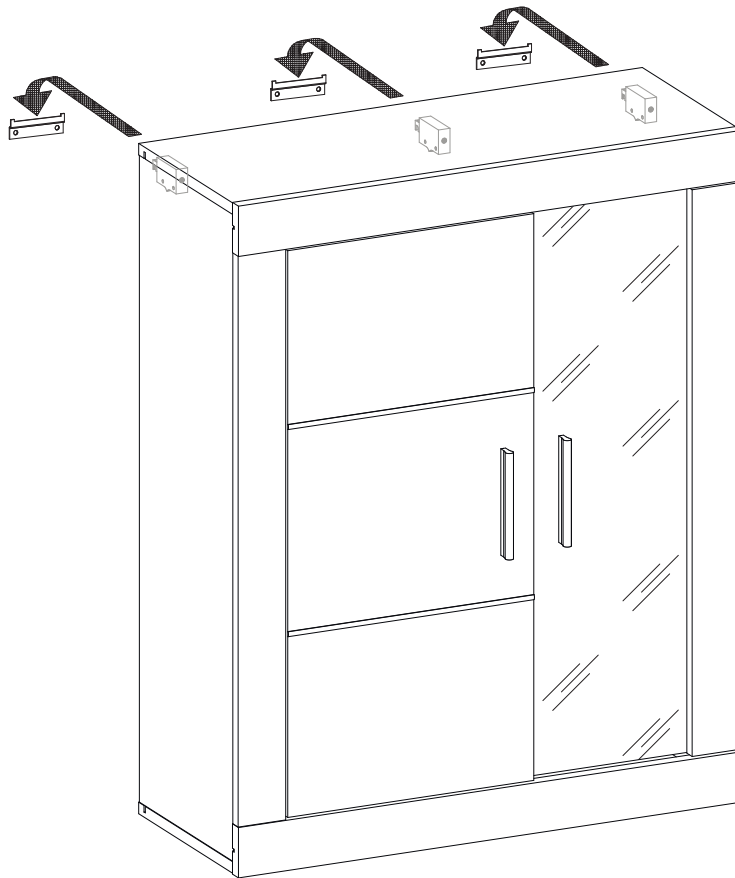
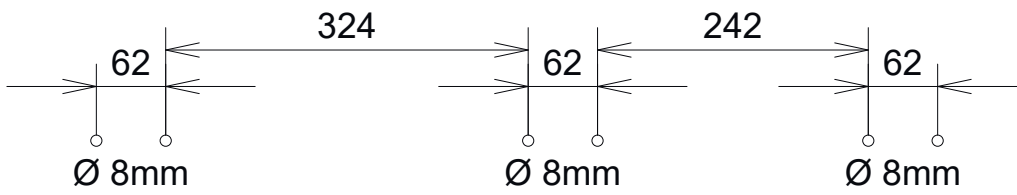
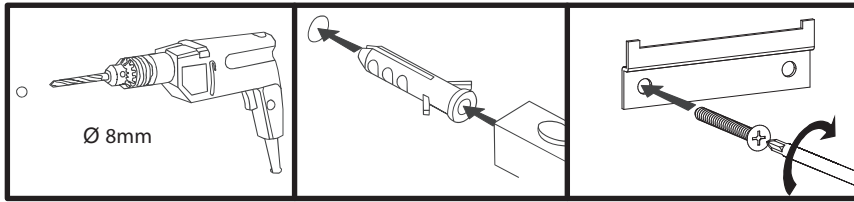
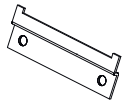
10

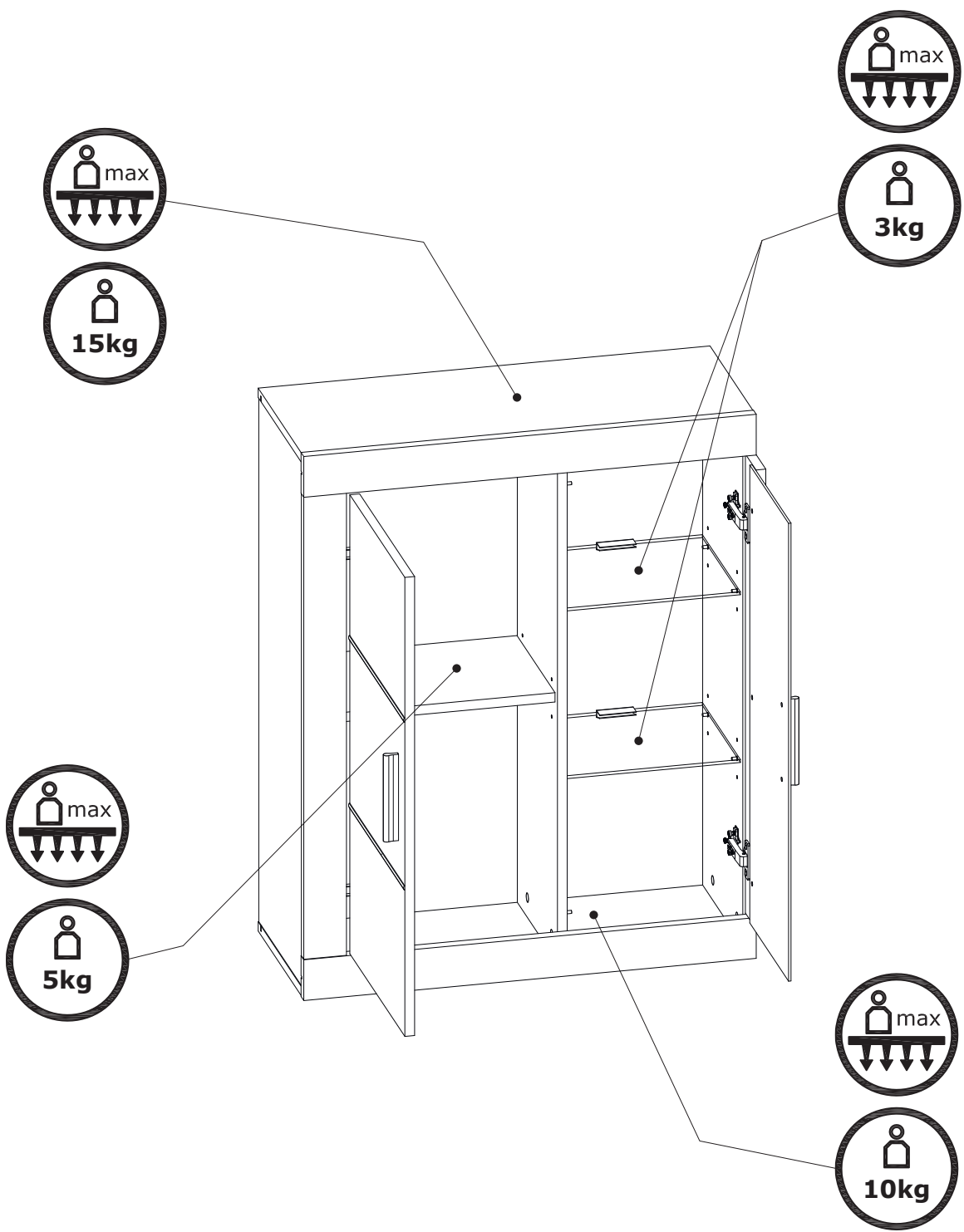


11

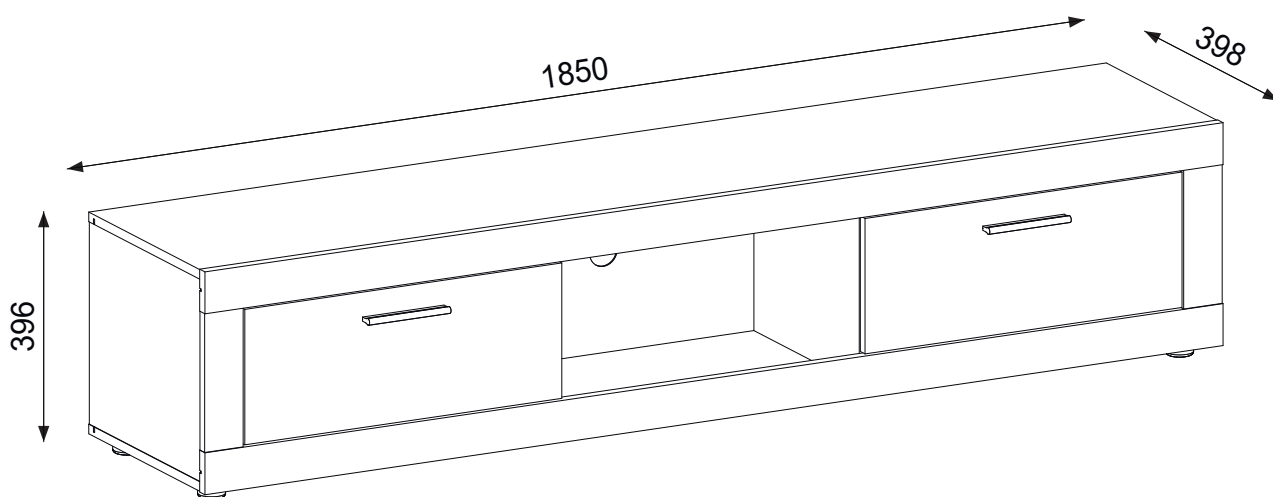
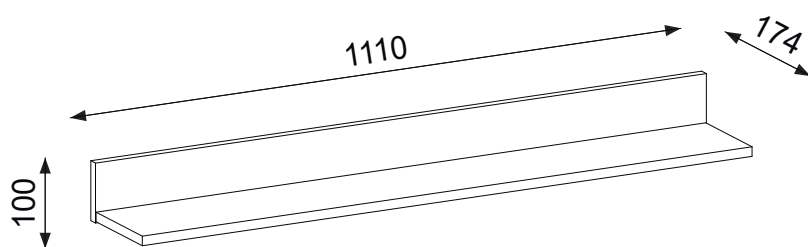
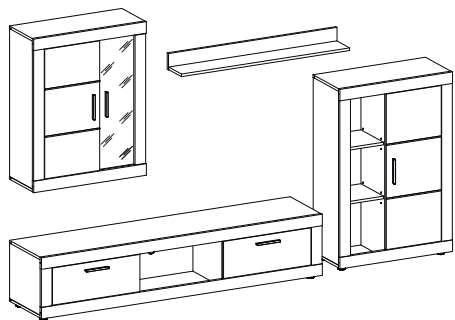


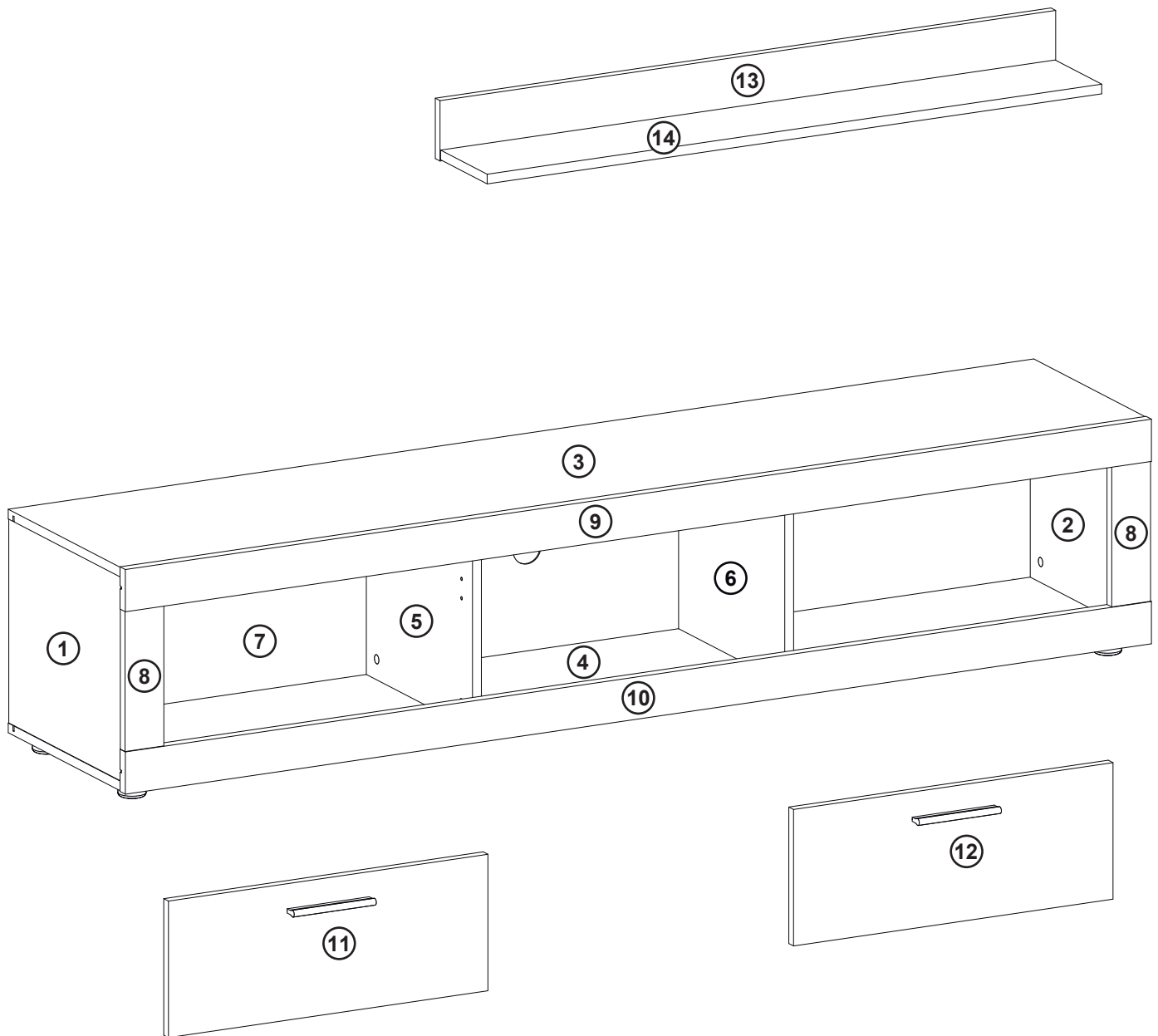
j1 x 3





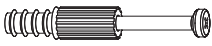


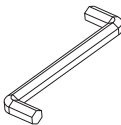
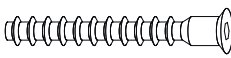



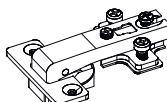

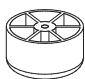




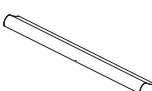
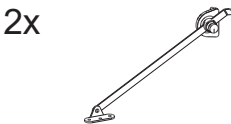

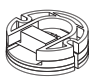


FIORDO FR3 RTV POLKA

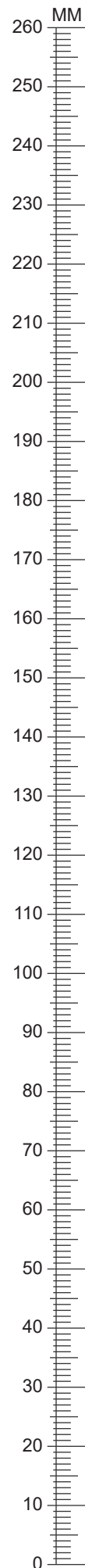




A	B (mm)		C	D
1	338	380	16	x1 3/3
2	338	380	16	x1 3/3
3	1849	380	16	x1 3/3
4	1849	380	16	x1 3/3
5	338	360	16	x1 3/3
6	338	360	16	x1 3/3
7	1828	352	2.5	x1 3/3
8	232	70	16	x2 3/3

A	B (mm)		C	D
9	1850	70	18	x1 3/3
10	1850	70	18	x1 3/3
11	576	226	16	x1 3/3
12	576	226	16	x1 3/3
13	1110	100	16	x1 3/3
14	1108	158	16	x1 3/3

<p>16x</p>  <p>45mm r23</p>	<p>16x</p>  <p>Ø 15x12mm r1</p>	<p>16x</p>  <p>Ø 8x30mm f1</p>
<p>1x</p>  <p>4mm z1</p>	<p>5x</p>  <p>Ø 6,3x50mm e27</p>	<p>16x</p>  <p>Ø 20mm s1</p>
<p>74x</p>  <p>Ø 3x16mm p50</p>	<p>8x</p>  <p>Ø 3,5x16mm p51</p>	<p>4x</p>  <p>Ø 35mm ab3</p>
<p>16x</p>  <p>30x30x25mm i1</p>	<p>6x</p>  <p>25x45x45mm k43</p>	<p>10x</p>  <p>10x10x15mm l2</p>
<p>6x</p>  <p>Ø 4,2x16mm p21</p>	<p>4x</p>  <p>Ø 4,2x25mm p25</p>	<p>6x</p>  <p>Ø 4x20mm p27</p>
<p>2x</p>  <p>L=128/148mm c239</p>	<p>2x</p>  <p>250mm m3</p>	<p>4x</p>  <p>Ø 5x11 mm e5</p>
<p>2x</p>  <p>35x12mm n15</p>	<p>2x</p>  <p>55mm m1</p>	<p>2x</p>  <p>Ø 6mm r5</p>



1

f1 x 16

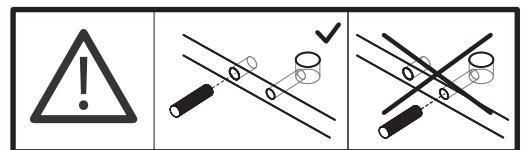
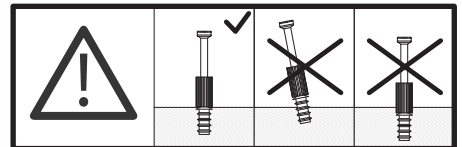
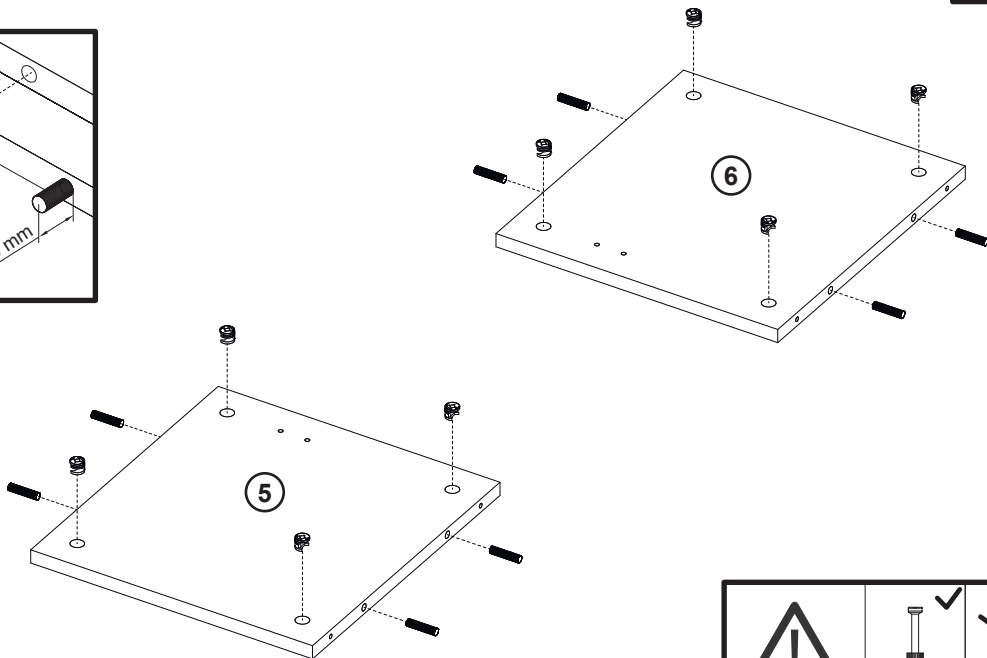
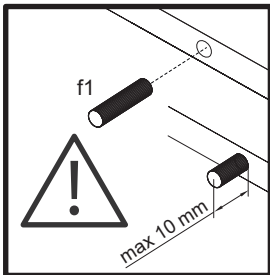
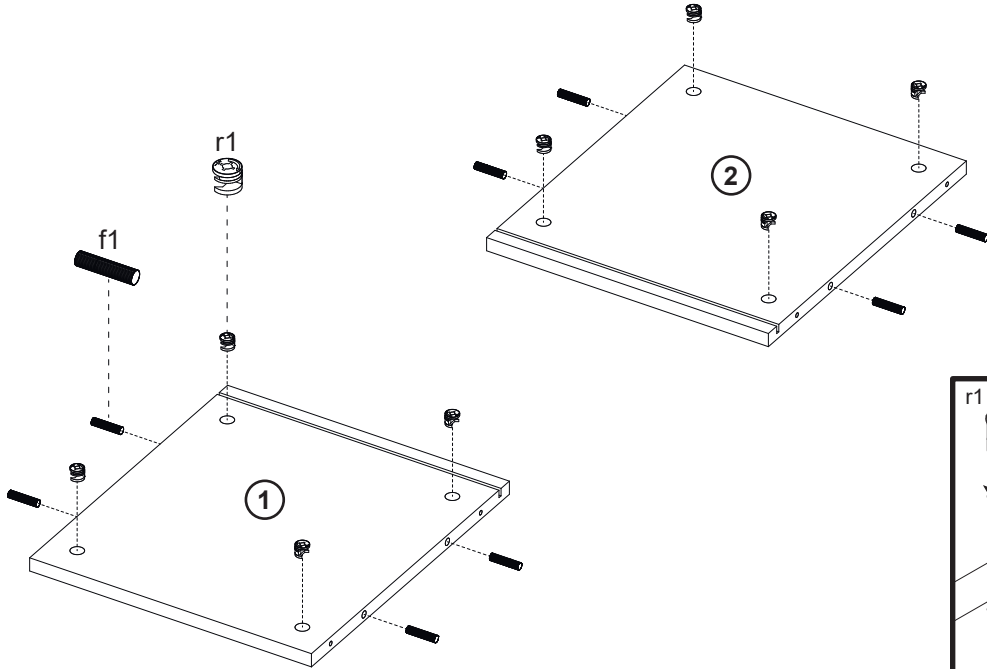


Ø 8x30mm

r1 x 16

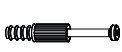


Ø 15x12mm



2

r23 x 16



45mm

n15 x 2



35x12mm

e5 x 4

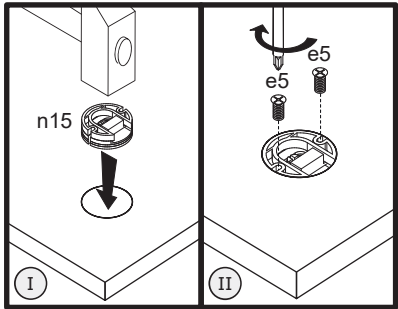
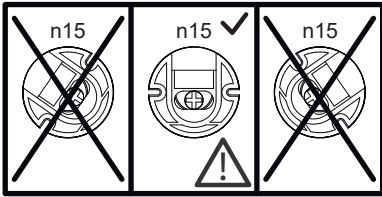
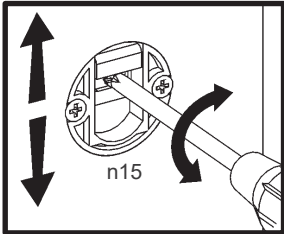
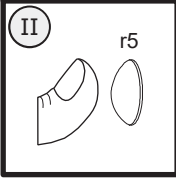
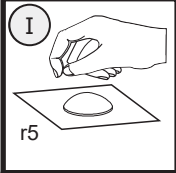
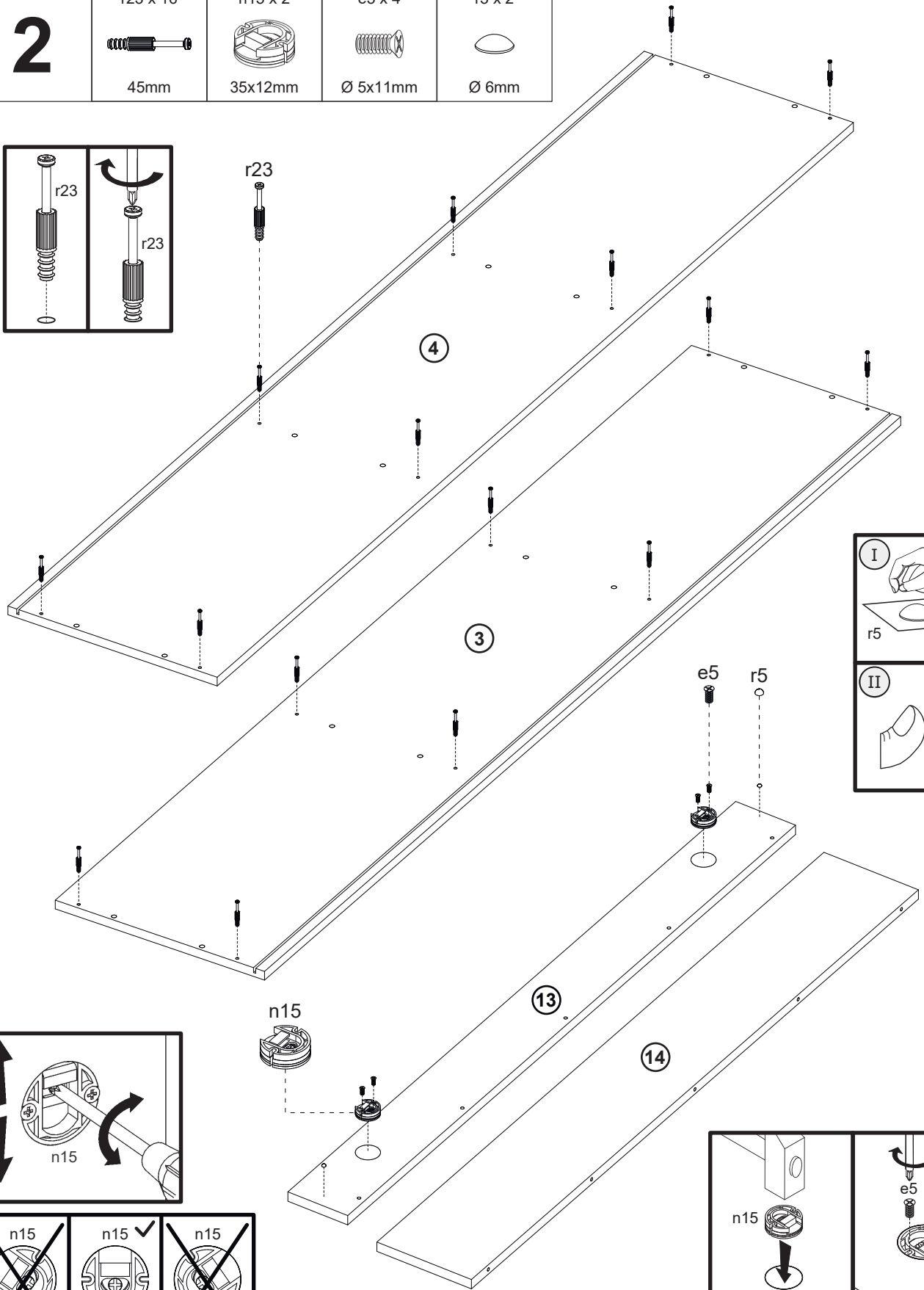
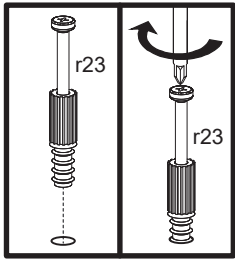


Ø 5x11mm

r5 x 2



Ø 6mm



3

b3 x 4



40x50x12mm

i1 x 16

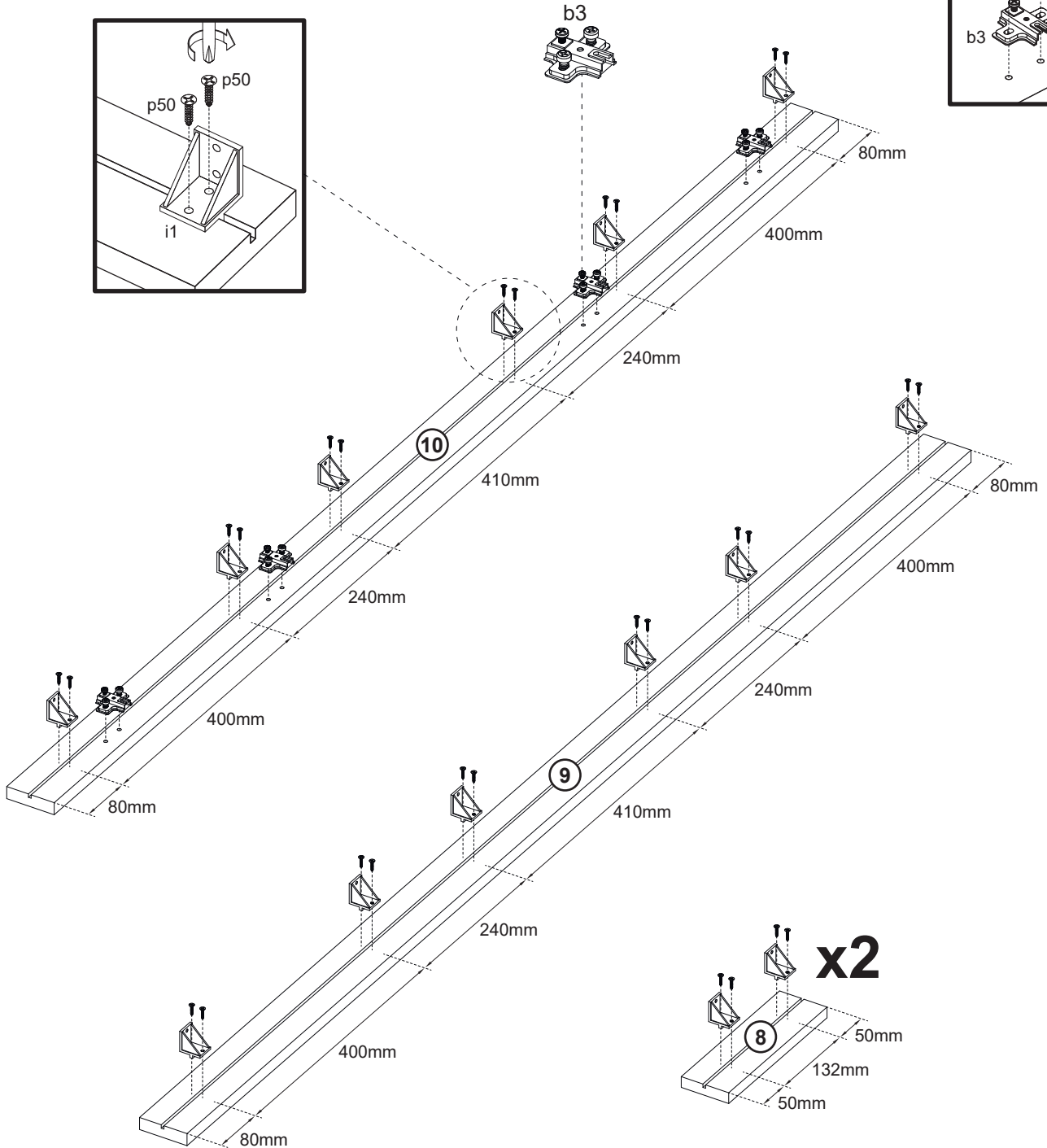
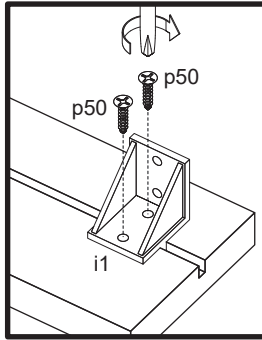
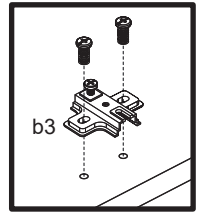
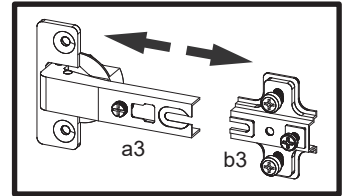


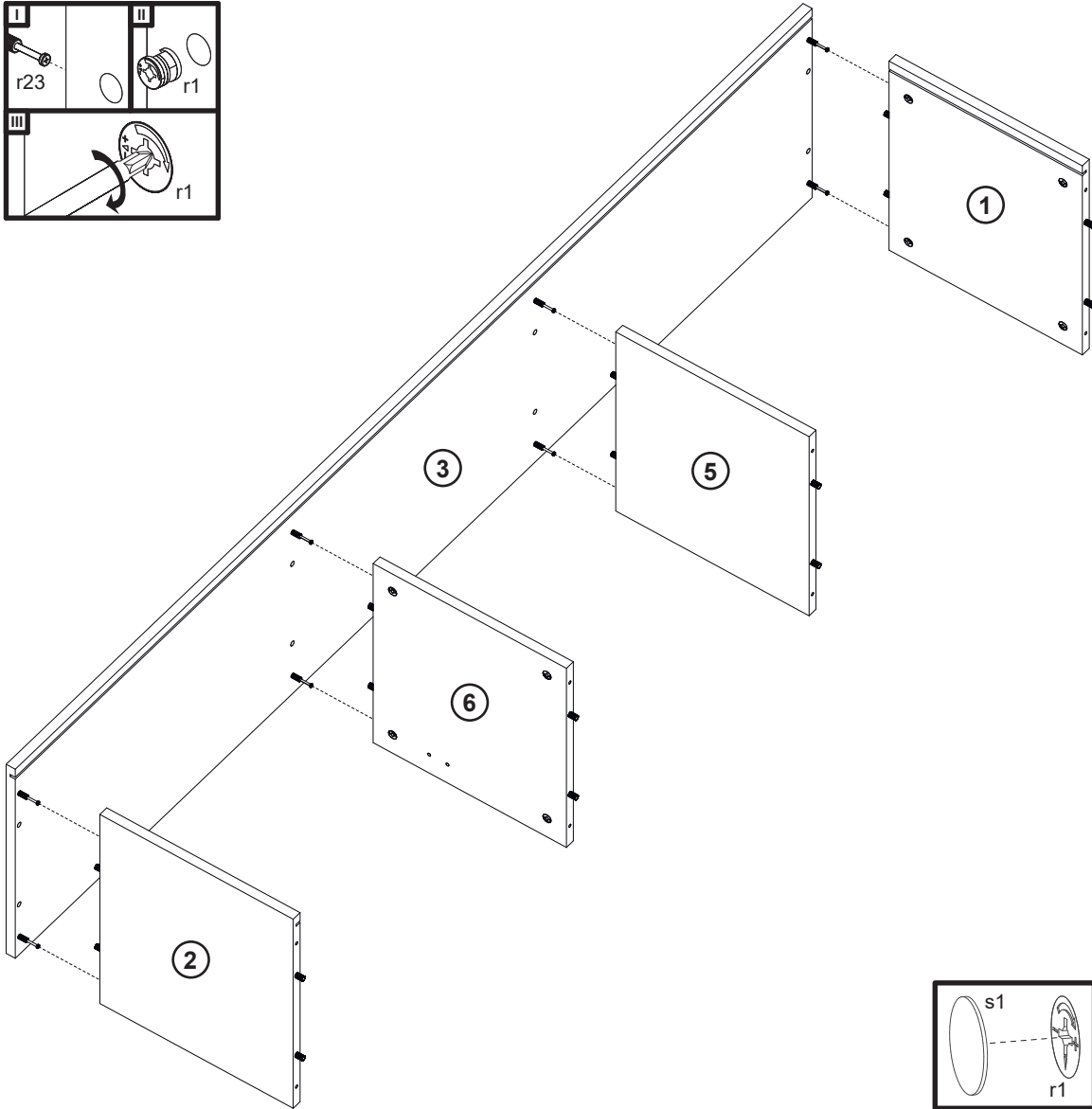
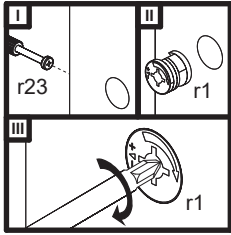
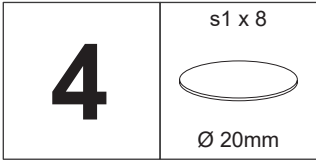
30x30x25mm

p50 x 32



Ø 3x16mm



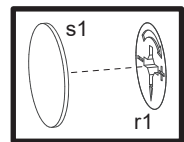
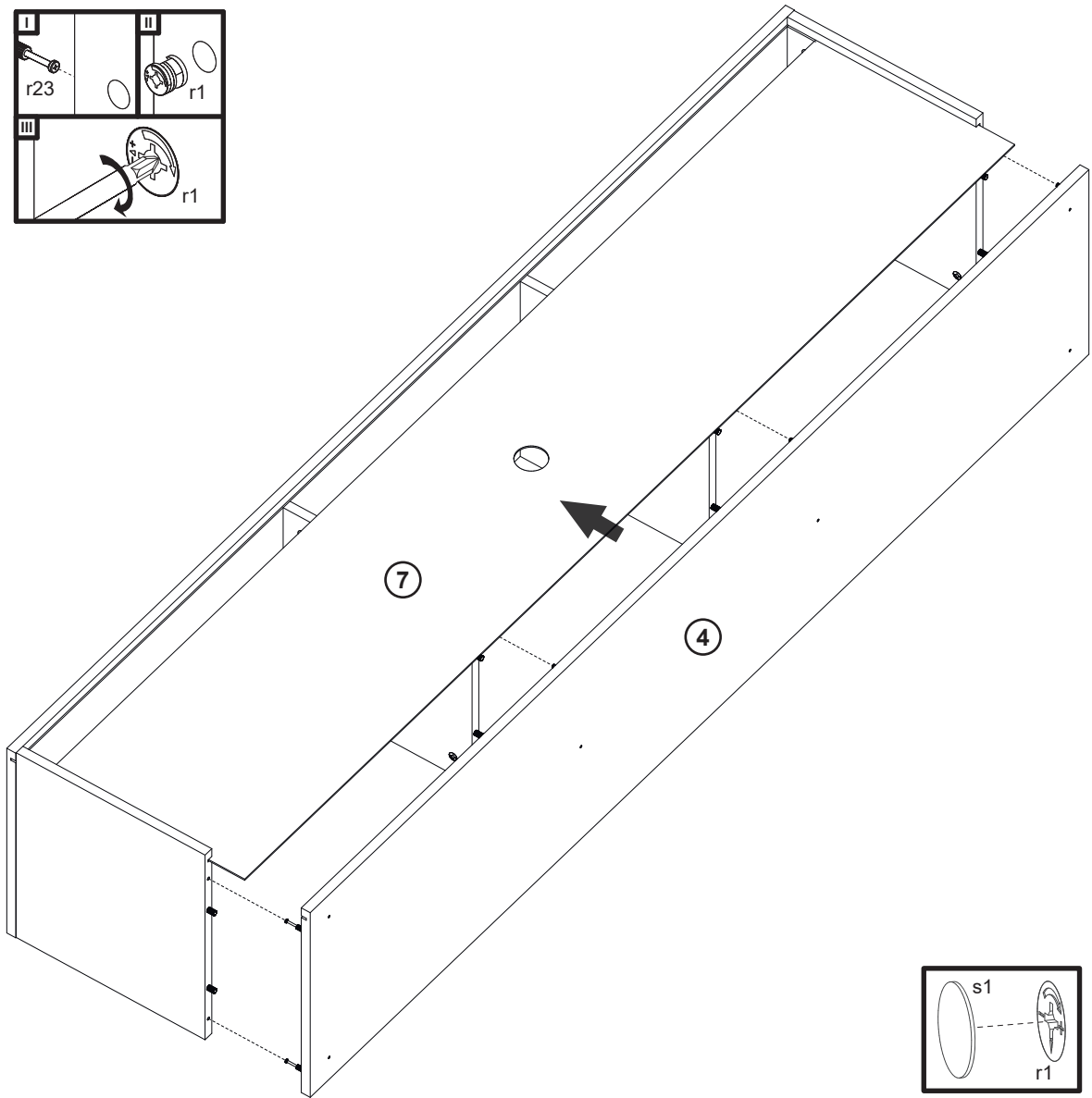
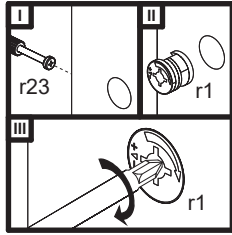


5

s1 x 8



Ø 20mm



6

l2 x 10



10x10x15mm

p21 x 6



Ø 4,2x16mm

k43 x 6

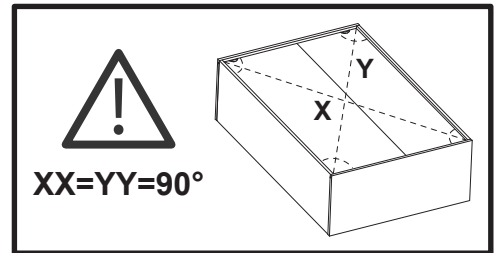
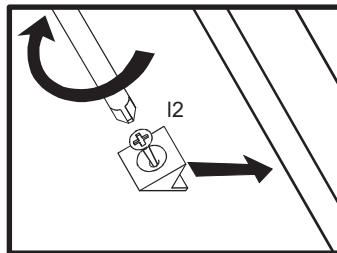
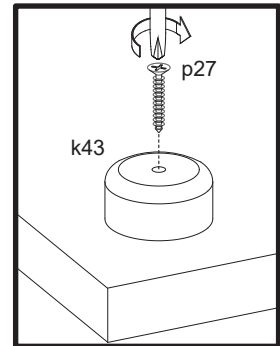
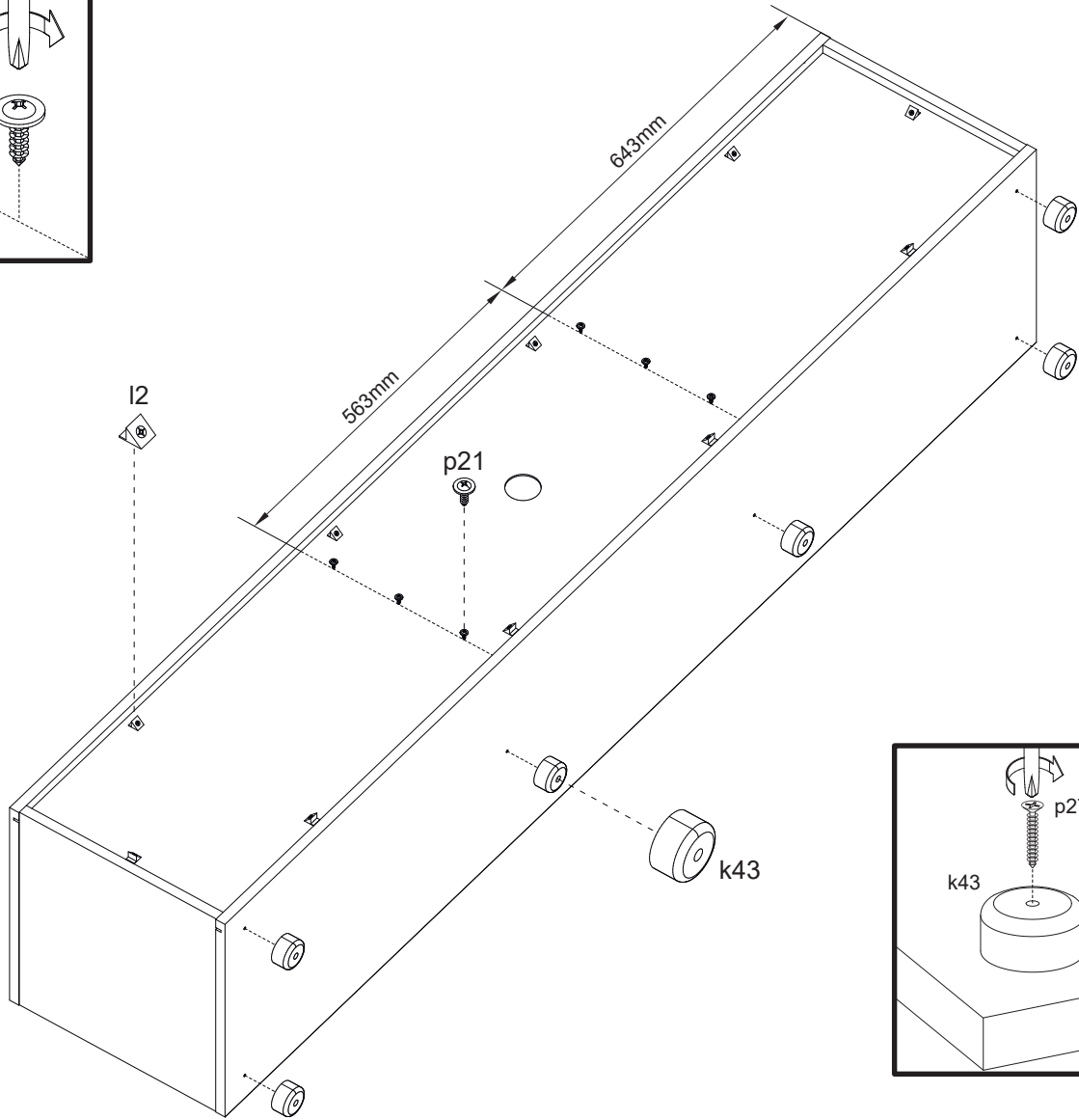
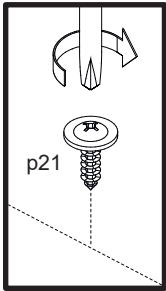


25x45x45mm

p27 x 6



Ø 4x20mm

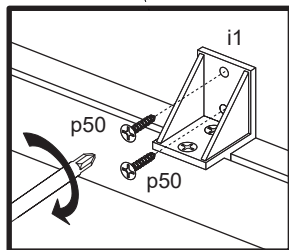
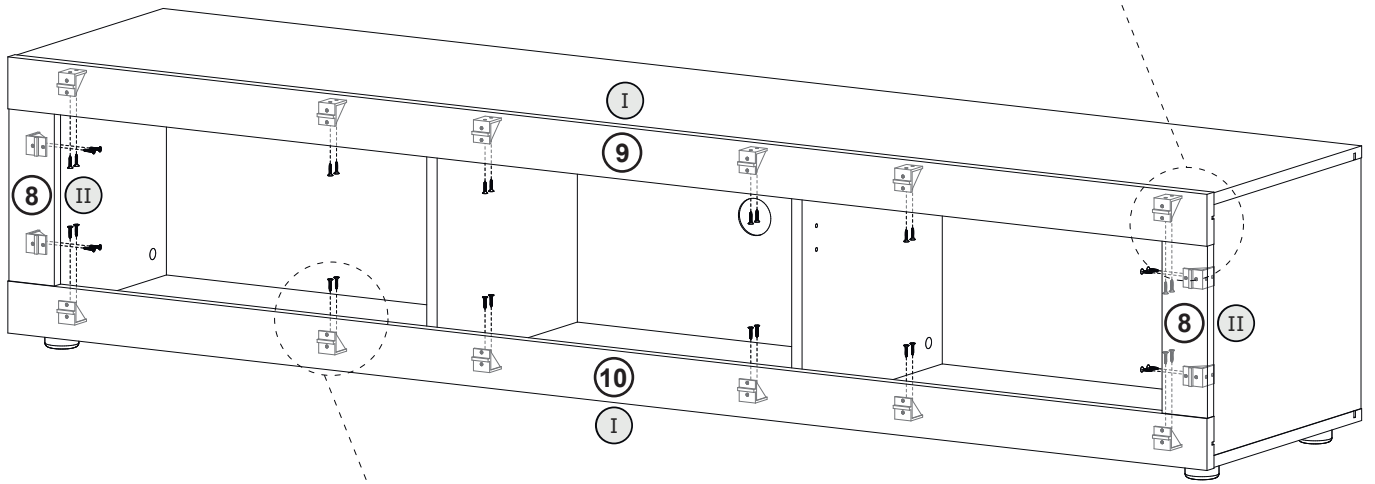
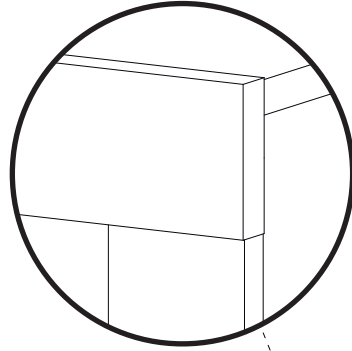


7

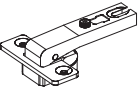



p50 x 32

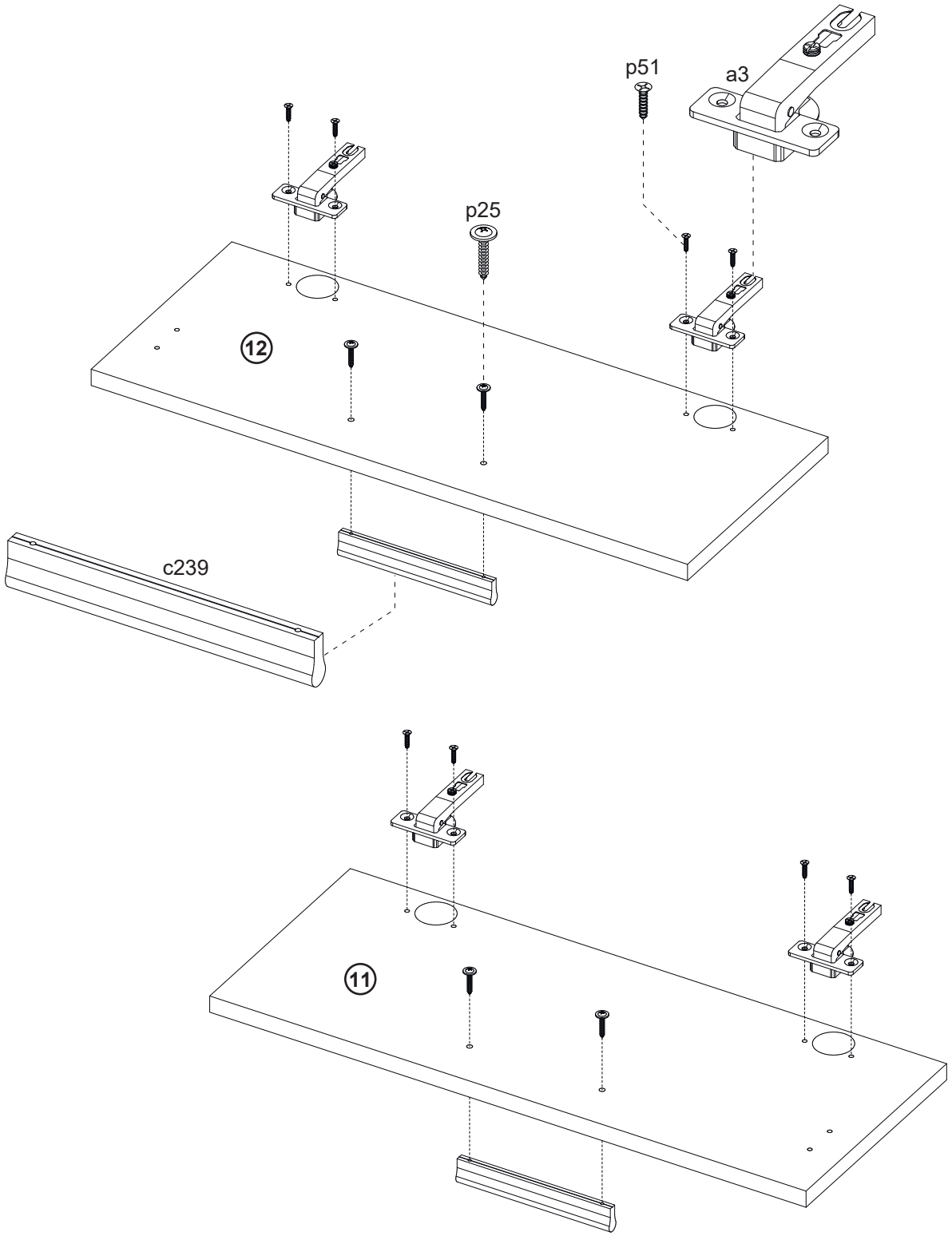


Ø 3x16mm



8

a3 x 4  Ø 35mm	p51 x 8  Ø 3,5x16mm	c239 x 2  L=128/148mm	p25 x 4  Ø 4,2x25mm
---	--	--	--



9

m3 x 2

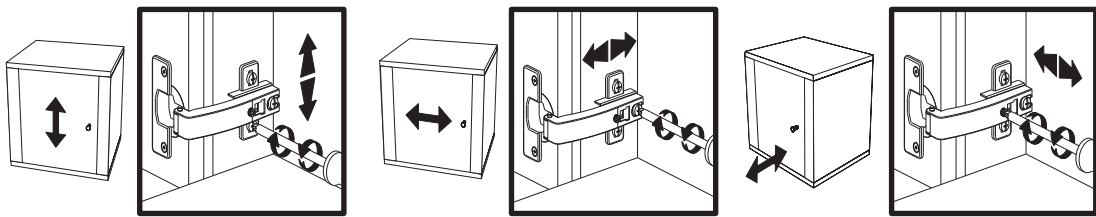
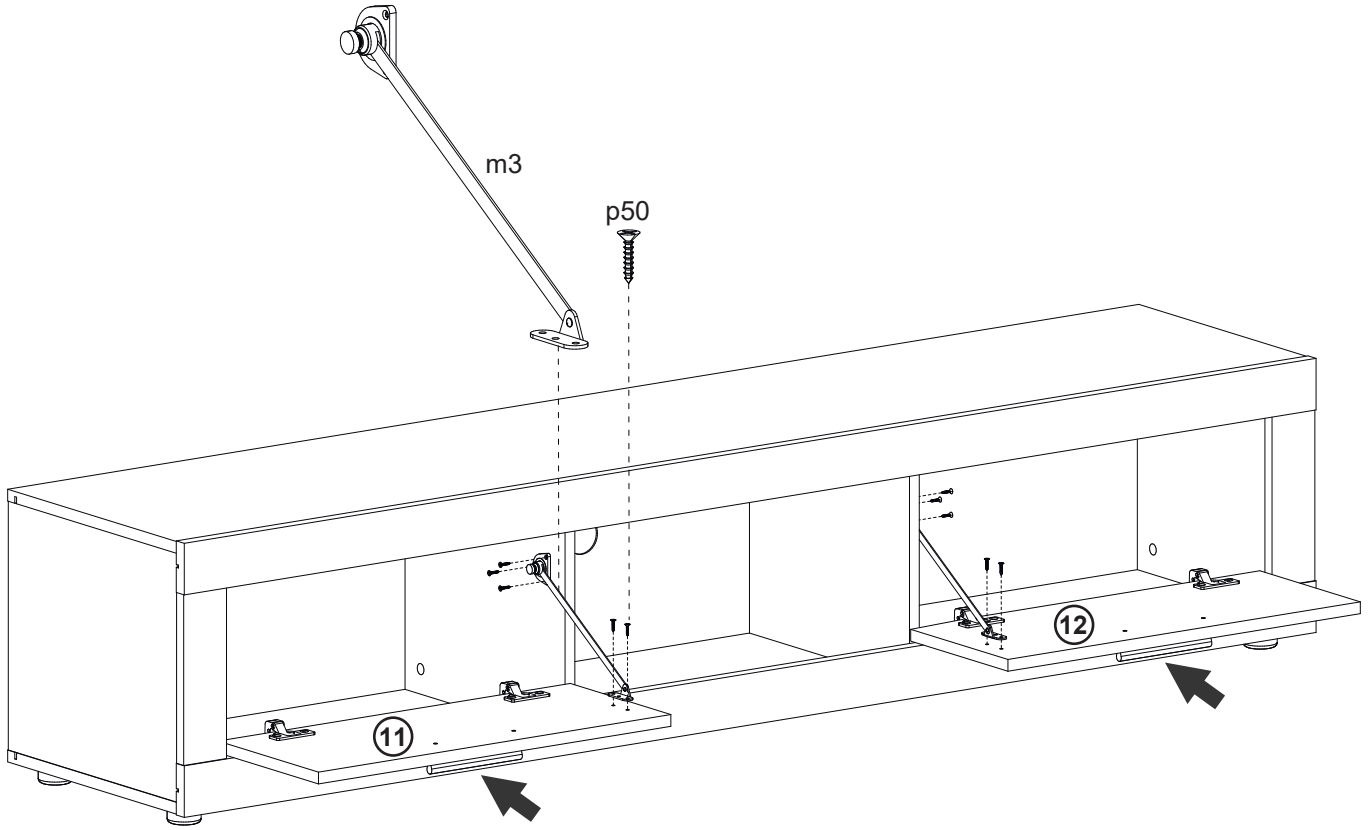


250mm

p50 x 10



Ø 3x16mm



10

e27 x 5

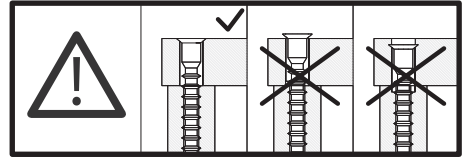
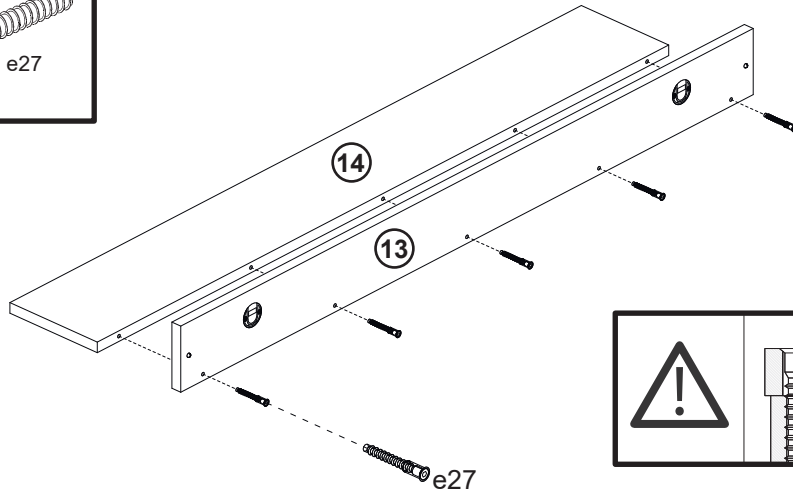
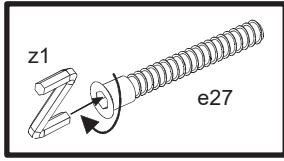


Ø 6,3x50mm

z1 x 1



4mm



11



m1 x 2



55mm

